

# Active Liquid Tanks Specification Sheet



PTC05000FG

## 5000 litre Free Standing Cartage Tank

### Unit Specifications

| Item        | Description   | Details  |
|-------------|---|--|
| Tank        | 5000 litre  | UV stabilised polyethylene specially formulated for transport tanks. Complies with AS2070:1999 & AS4766:2006 compliant. Food grade with 10 year guarantee.   |
| Lid         | 455mm   | 455mm diameter lid, rim & seal. 180° hinged tank lid supplied with fixing ring. Labyrinth breather valve. Gasket seal. Six point bayonet lock to provide perfect seal, UV stabilised polypropylene construction. Spill containment lip surrounds lid                     |
| Tank outlet | 2" MBSP   | Flanged polypropylene tank outlet complete with nut and washer   |
| Dimensions  | PTC05000FG<br>PTC05000BFG                           | 2760mm(L) x 2000mm(W) x 1400mm(H)  |
| Dry weight  | PTC05000FG<br>PTC05000BFG                           | 250kg (No baffles)<br>298kg (Ball Baffles)   |
| Baffles     | Ball Baffles<br>355mmØ<br>PTC05000BFG<br>PTC05000FG | Reduces fluid movement for improved stability. Complies with load restraint guide performance standards. Food grade quality material. Suitable for potable water. Ball displaces 425ml and weighs 386g. Recommended use quantity 1 per 40L of tank capacity<br>No baffle |
| Colour      |   | Faint green  |
| Load Rating |   | 1.3 Specific Gravity (SG)  |
| Mounting    | 4 x 24 x 330mm<br>Tank mounting pins                | Mounts directly to any flat surface with galvanised steel mounting pins (optional)   |

1

# Active Liquid Tanks Specification Sheet

## Features

- Unconditional guarantee against rust
- Extraordinary impact resistance
- Australian made for Australian conditions
- Optional tank colours available
- Extra fittings can be added almost anywhere
- Large tank opening for fast, easy filling
- Extra-thick tank structure with a load rating of up to an enormous 1.3:1 specific gravity on all Active tanks
- Specifically moulded fittings to enable easy mounting to any flat surface....without the need for any frame
- In-built 'Flexi-Link® Technology' in each tank structure allows real flex to cope with those truck chassis twist and moves that happen during tough operating conditions
- Specialised poly manufacturing process maximises strength with minimal weight resulting in greater payload opportunities
- Easy to read calibration on tank side for quick measurement of contents
- Ideal for safe and secure transporting of a wide range of fluids
- Easy fill /No spill containment lip on tanks over 400 litres
- 'Surefit' tank mounting pin kit and poly outlet supplied with tanks

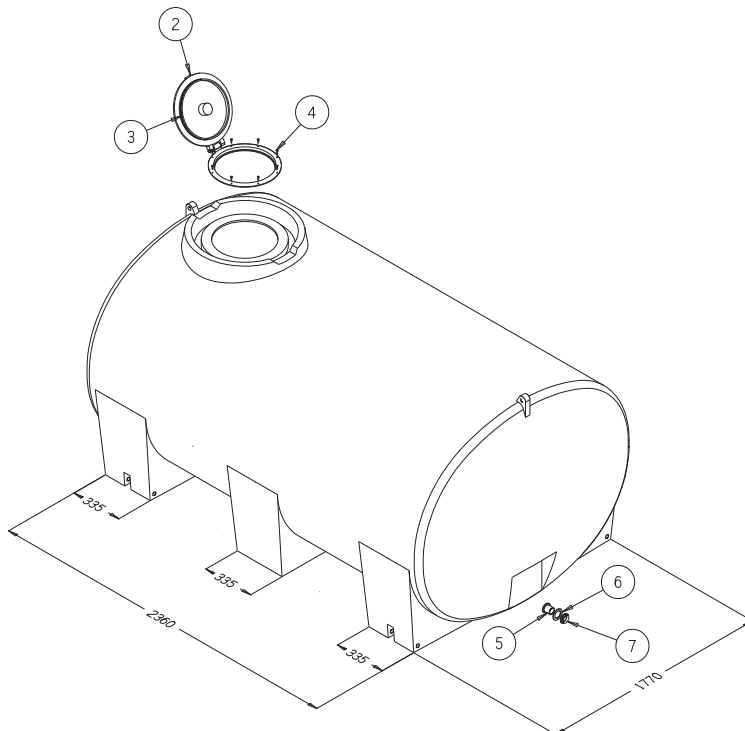
## Applications

- Potable (drinking water delivery)
- Dust suppression units
- Liquid fertiliser transport
- Water supply for spraying contractors
- Drillers mud
- Molasses transport
- Agricultural chemical transport and mixing

## What is Flexi-Link® Technology?

- A polymer formulation with unique molecular bonding technology that allows flex without loss of strength

## Dimensional Drawing – PTC05000FG / PTC05000BFG



**OVERALL DIMENSIONS** 2760(L) X 2000(W) X 1400(H)

| ITEM  | CODE       | Description               |
|-------|------------|---------------------------|
| 2     | ARLP450VSR | Ø455 Lid, Rim & Seal Assy |
| 3     |            | Ø455 Lid Seal Only        |
| 4     |            | Stainless Steel Screws    |
| 5,6,7 | ARFP050    | 2" MBSP Fitting - Poly    |

\*Rapid spray warranty requires fitting the Ball Baffle System to tanks larger than 6000 litres partially filled