



PTSP00300KFG

300 Litre Pin Mount Spray Tank with Galvanised Steel Frame

Unit Specifications

Item	Description	Details
Tank	300 litre	Manufactured from UV stabilised polyethylene specifically formulated for chemical spray tanks. Complies with AS2070:1999 & AS4766:2006. Integral fully draining sump. 10 year guarantee. Includes pump cover.
Lid	255mm	Ø255mm threaded lid assembly with fixed labyrinth breather valve
Filter	Basket Filter	Ø210mm x 235mm deep with 18 mesh screen
Tank outlet	3/4"	3/4" poly drain bung and seal
Dimensions	PTSP00300FG (Tank Only)	877mm(L) x 800mm(W) x 660mm(H)
	PTSP00300KFG (Tank and Frame)	993mm(L) x 786mm(W) x 708mm(H)
Dry weight	PTSP00300FG	15kgs
	PTSP00300KFG	19kgs
Colour		Faint green
Load rating		1.3 Specific Gravity (SG)
Mounting	Pin mount galvanised steel frame	Hot dipped galvanised steel mounting frame for correct tank support and to give sump clearance for access

1

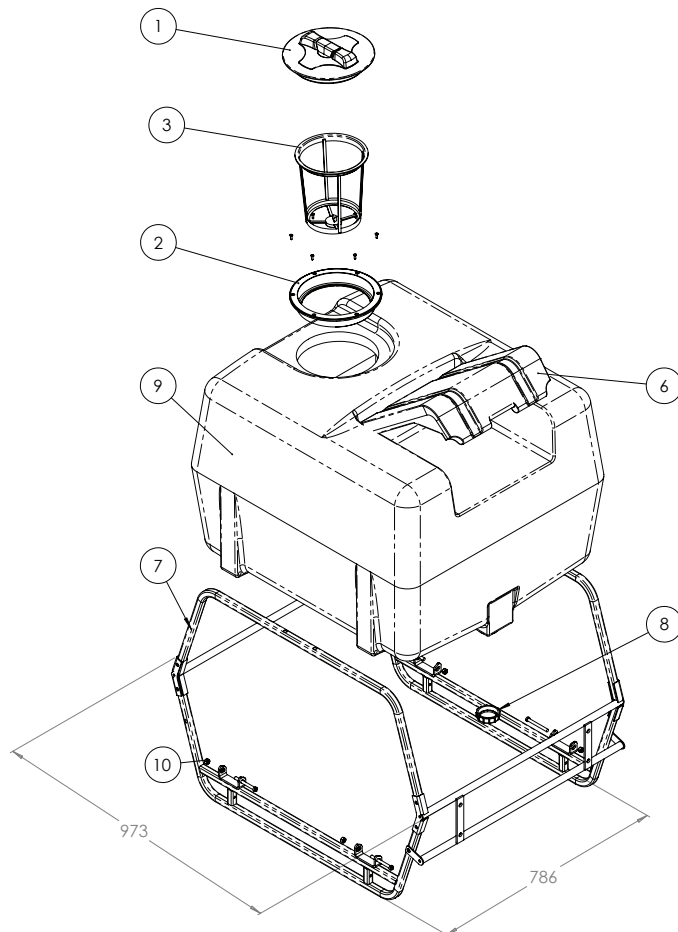
Spray Tanks

Specification Sheet

Features

- Integral fully draining sump
- The positive draining tank base with centred sump provides flooded suction regardless of terrain
- Unconditional guarantee against rust
- Extraordinary impact resistance
- Impressive range of "flex" to cope with movement and twisting in tough operating conditions
- Impervious to most chemicals
- Easy to read calibrations for measurement of contents
- Australian made for Australian conditions
- 10 year guarantee – buy with confidence!

Dimensional Drawing – PTSP00300FG / PTSP00300KFG



OVERALL DIMENSIONS 993(L) x 786(W) x 708(H)

2

ITEM	CODE	Description
1,2,5	ARLP250USR	ø255 Lid Assembly Complete
3	ARK200	ø255 Basket Filter
4		Stainless Steel Screws
6		Pump Compartment Cover
7		Skid Frame Only
8	CFNB20M	3/4" Drain Bung
9	PTSP00300FG	300L Tank - Bare & Pump Cover
10		4 x M8 x 75 Bolts, Lock Nut & 2-Flat Washers/Bolt

Optional Tank Colours

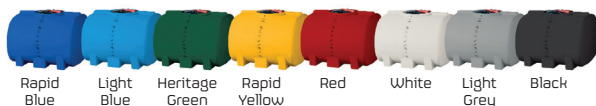
Standard

Translucent



- Optional colours will incur a surcharge of 5%
- If water is being stored in tank we recommend using opaque colours to prevent algae growth

Opaque



Optional Small Ball Baffle

– ARB195 Ø195MM

Displaces 150ml and weighs 120g. Recommended use quantity 1 ball baffle per 7L of tank capacity



*Tanks not mounted in accordance with our specifications may void warranty

Freecall 1800 011 000
www.rapidspray.net

