

Spray Tanks Specification Sheet



PTSP00600KFG

600 Litre Pin Mount Spray Tank with Galvanised Steel Frame

Unit Specifications

Item	Description	Details
Tank	600 litre	Manufactured from UV stabilised polyethylene specifically formulated for chemical spray tanks. Complies with AS2070:1999 & AS4766:4006. Integral fully draining sump. 10 year guarantee.
Lid	255mm	Ø255mm threaded lid assembly with fixed labyrinth breather valve
Filter	Basket Filter	Ø210mm x 235mm deep with 18 mesh screen
Tank outlet	1 1/2" MBSP	Flanged polypropylene tank outlet fitting complete with nut and washer
Dimensions	PTSP00600FG (Tank Only)	1190mm(L) x 1050mm(W) x 850mm(H)
	PTSP00600KFG (Tank and Frame)	1190mm(L) x 1050mm(W) x 890mm(H)
Dry weight	PTSP00600FG	33kgs
	PTSP00600KFG	50kgs
Colour		Faint green
Load rating		1.3 Specific Gravity (SG)
Mounting	Galvanised steel mounting frame & pins 4 x 18 x 200mm	Hot dipped galvanised steel mounting frame and pins for correct tank support and to give sump clearance for access

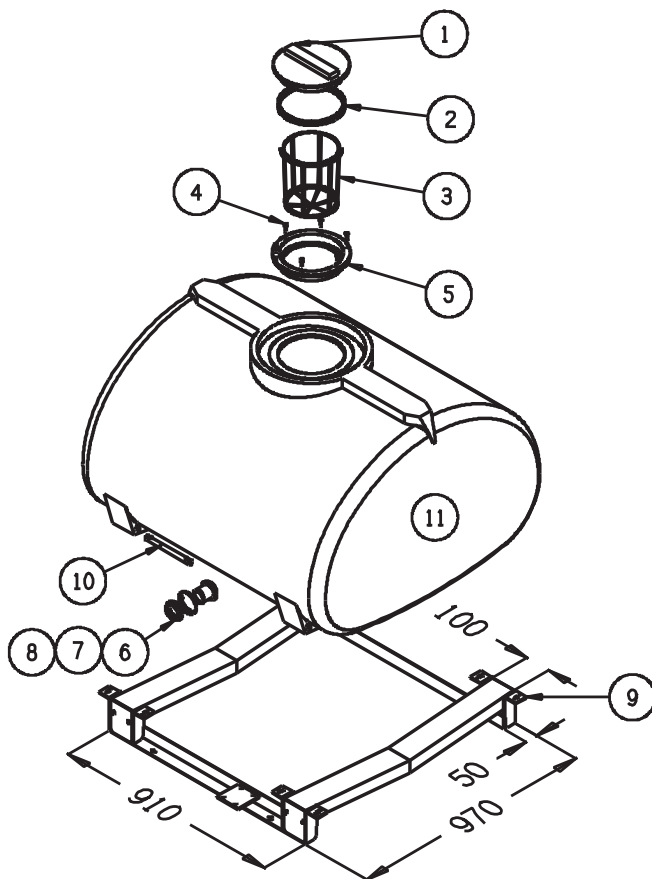
1

Spray Tanks Specification Sheet

Features

- Integral fully draining sump
- The positive draining tank base with centred sump provides flooded suction regardless of terrain
- Unconditional guarantee against rust
- Extraordinary impact resistance
- Impressive range of "flex" to cope with movement and twisting in tough operating conditions
- Impervious to most chemicals
- Easy to read calibrations for measurement of contents
- Australian made for Australian conditions
- 10 year guarantee – buy with confidence!

Dimensional Drawing – PTSP00600FG / PTSP00600KFG



Cutaway shows full drain sump



End view shows sump clearance



Outside view of Pin



Cutaway of Pin

OVERALL DIMENSIONS 1190(L) × 1050(W) × 890(H)

ITEM	CODE	Description
1,2,5	ARLP250USR	Ø255 Lid Assembly Complete
3	ARK200	Ø255 Basket Filter
4		Stainless Steel Screws
6,7,8	ARFP038	1 1/2" MBSP Fitting-Poly
9		Skid Frame Only
10	ARP001	4 Pins 18x200
11	PTSP00600FG	600L LP Tank - Bare

2

Optional Tank Colours

Standard



Faint Green

Translucent



Natural



Trans Yellow



Trans Blue

- Optional colours will incur a surcharge of 5%
- If water is being stored in tank we recommend using opaque colours to prevent algae growth

Opaque



Rapid Blue



Light Blue



Heritage Green



Rapid Yellow



Red



White



Light Grey



Black

Optional Small Ball Baffle

– ARB195 Ø195MM

Displaces 150ml and weighs 120g. Recommended use quantity 1 ball baffle per 7L of tank capacity



*Tanks not mounted in accordance with our specifications may void warranty

Freecall 1800 011 000
www.rapidspray.net

