

Spray Tanks Specification Sheet



PTSS00100KFG

100 Litre Strap Mount Spray Tank with Galvanised Steel Frame

Unit Specifications

Item	Description	Details
Tank	100 litre	Manufactured from UV stabilised polyethylene specifically formulated for chemical spray tanks. Complies with AS2070:1999 & AS4766:2006. Integral fully draining sump. 10 year guarantee.
Lid	150mm	Ø150mm screw lid fitted with spring breather valve and gasket
Tank outlet	1" MBSP	Flanged polypropylene tank outlet fitting complete with nut and washer
Dimensions	PTSS00100FG (Tank Only)	815mm(L) x 450mm(W) x 595mm(H)
	PTSS00100KFG (Tank and Frame)	815mm(L) x 450mm(W) x 610mm(H)
Dry weight	PTSS00100FG	9kgs
	PTSS00100KFG	18kgs
Colour		Faint green
Load rating		1.3 Specific Gravity (SG)
Mounting	Galvanised steel mounting frame and straps	Hot dipped galvanised steel mounting frame for correct tank support and to give sump clearance for access

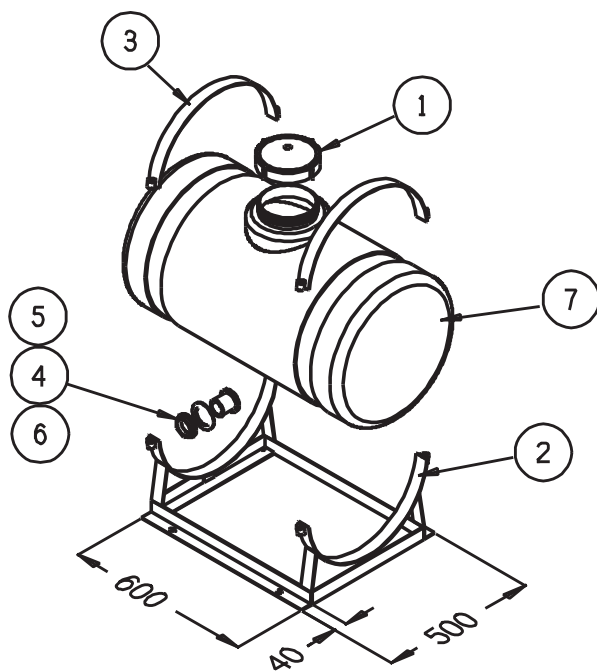
1

Spray Tanks Specification Sheet

Features

- Integral fully draining sump
- The positive draining tank base with centred sump provides flooded suction regardless of terrain
- Unconditional guarantee against rust
- Extraordinary impact resistance
- Impressive range of "flex" to cope with movement and twisting in tough operating conditions
- Impervious to most chemicals
- Easy to read calibrations for measurement of contents
- Australian made for Australian conditions
- 10 year guarantee – buy with confidence!

Dimensional Drawing – PTSS00100FG / PTSS00100KFG



OVERALL DIMENSIONS 815(L) x 450(W) x 610(H)

ITEM	CODE	Description
1	ARLP150AV	Ø150 Screw Lid & Seal
2,3		Frame & Straps Only
4,5,6	ARFP025	1" MBSP Fitting-Poly
7	PTSS00100FG	100L Tank - Bare

2

Optional Tank Colours

Standard



Faint Green

Translucent



Natural



Trans Yellow



Trans Blue

- Optional colours will incur a surcharge of 5%
- If water is being stored in tank we recommend using opaque colours to prevent algae growth

Opaque



Rapid Blue



Light Blue



Heritage Green



Rapid Yellow



Red



White



Light Grey



Black

Optional Small Ball Baffle

– ARB195 Ø195MM

Displaces 150ml and weighs 120g. Recommended use quantity 1 ball baffle per 7L of tank capacity



*Tanks not mounted in accordance with our specifications may void warranty

Freecall 1800 011 000
www.rapidspray.net

