



PTSS00400KFG

## 400 Litre Strap Mount Spray Tank with Galvanised Steel Frame

### Unit Specifications

Item	Description	Details
Tank	400 litre	Manufactured from UV stabilised polyethylene specifically formulated for chemical spray tanks. Complies with AS2070:1999 & AS4766:4006. Integral fully draining sump. 10 year guarantee.
Lid	255mm	Ø255mm threaded lid assembly with fixed labyrinth breather valve
Filter	Basket Filter	Ø210mm x 235mm deep with 18 mesh screen
Tank outlet	1 1/2" MBSP	Flanged polypropylene tank outlet fitting complete with nut and washer
Dimensions	PTSS00400FG (Tank Only)	900mm(L) x 820mm(W) x 950mm(H)
	PTSS00400KFG (Tank and Frame)	900mm(L) x 820mm(W) x 1000mm(H)
Dry weight	PTSS00400FG	20kgs
	PTSS00400KFG	37kgs
Colour		Faint green
Load rating		1.3 Specific Gravity (SG)
Mounting	Galvanised steel mounting frame and straps	Hot dipped galvanised steel mounting frame for correct tank support and to give sump clearance for access

1

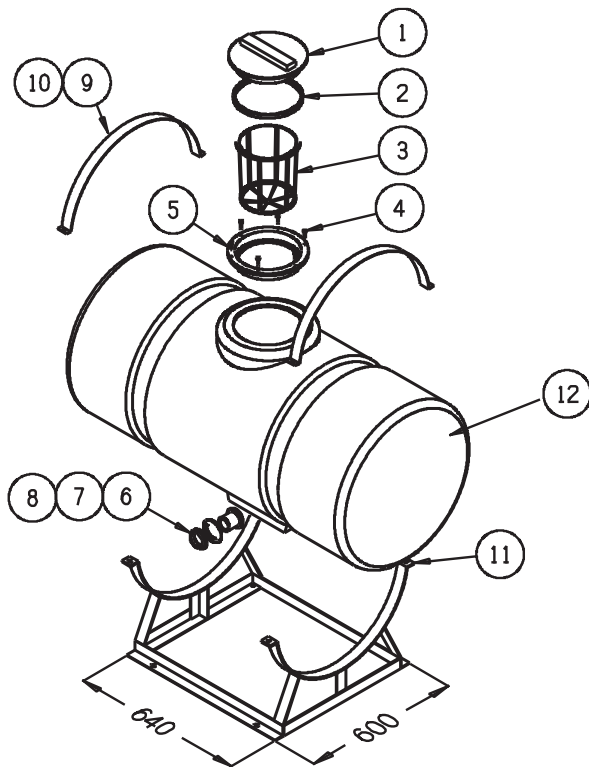
# Spray Tanks

## Specification Sheet

### Features

- Integral fully draining sump
- The positive draining tank base with centred sump provides flooded suction regardless of terrain
- Unconditional guarantee against rust
- Extraordinary impact resistance
- Impressive range of "flex" to cope with movement and twisting in tough operating conditions
- Impervious to most chemicals
- Easy to read calibrations for measurement of contents
- Australian made for Australian conditions
- 10 year guarantee – buy with confidence!

### Dimensional Drawing – PTSS00400FG / PTSS00400KFG



OVERALL DIMENSIONS		900(L) × 820(W) × 1045(H)
1,2,5	ARLP250VSR	∅255 Lid Assembly Complete
3	ARK200	∅255 Basket Filter
4		Stainless Steel Screws
6,7,8	ARFP038	1 1/2" MBSP Fitting-Poly
9,10,11		Frame & Straps Only
12	PTSS00400FG	400L Tank - Bare

2

### Optional Tank Colours

#### Standard



Faint Green

#### Translucent



Natural



Trans Yellow



Trans Blue

- Optional colours will incur a surcharge of 5%
- If water is being stored in tank we recommend using opaque colours to prevent algae growth

#### Opaque



Rapid Blue



Light Blue



Heritage Green



Rapid Yellow



Red



White



Light Grey



Black

### Optional Small Ball Baffle

– ARB195 ∅195MM

Displaces 150ml and weighs 120g. Recommended use quantity 1 ball baffle per 7L of tank capacity



\*Tanks not mounted in accordance with our specifications may void warranty

Freecall 1800 011 000  
www.rapidspray.net

