

HD Magnum™ Series

Ordering Information

Select the appropriate order code from each of the designated categories below to build a complete pump model number. Use the Performance chart on the facing page to determine appropriate pump size. Refer to individual pump size page for complete specifications.

For example:

M125C-PM21-VS is an M125 pump (1-1/4" inlet) with a cast iron housing, nylon impeller and a 5 GPM hydraulic motor, with optional Viton/silicon carbide seal.

Pump Size

M125
M150
M200

Port Size - FNPT (inches)

Inlet:	Outlet:
1-1/4	1
1-1/2	1-1/4
2	1-1/2

Material

C Cast iron with nylon impeller and Viton/ceramic seal (standard)
S Stainless steel with nylon impeller and Viton/silicon carbide seal (standard)

Hydraulic Motor*

PM21 5-7 GPM, rear ports (for M125 only)
PM37 7-10 GPM, rear ports (for M125 & M150 only)
PM45 11-13 GPM, rear ports
PM58 13-15 GPM, rear ports
PM58B 13-15 GPM, side ports
PM70B 15-17 GPM, side ports

Optional Adders

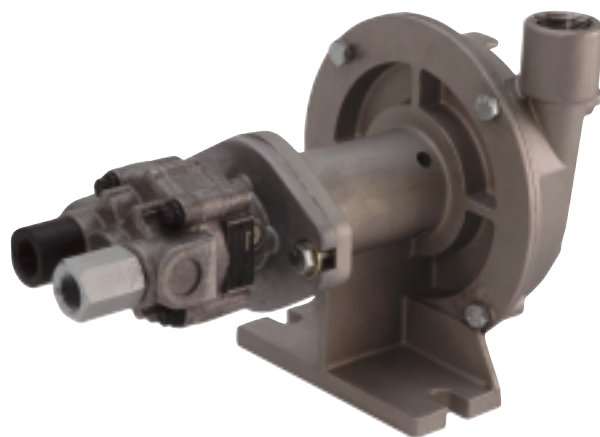
-VS Viton/silicon carbide seal (optional for cast iron models)
-PI Polypropylene impeller
-NS Nylon impeller with stainless steel insert
-PS Polypropylene impeller with stainless steel insert

* All hydraulic motors are designed for open and closed center systems. Consult factory for other motor options.

Hydraulically-Driven
Centrifugal Pumps

Hydraulic Motors

Delavan HD Magnum pumps have a two piece pump and motor design which offers the exclusive HD splined coupling for easy installation and servicing.



Performance

Pump Size	Hydraulic Motor Size	Hydraulic Oil Flow (GPM)	Pump Flow GPM @ Rated PSIG															
			10	20	30	40	50	60	70	80	90	100	110	120	130	140		
M125	PM21*	5	58	55	51	38	31	17										
		6	65	64	63	59	54	49	42	34	26	15						
		7	73	72	70	69	68	64	59	53	45	38	30	22				
	PM37	7	69	68	66	63	55	44	25	16								
		8	78	76	75	71	69	61	52	34	15							
		9	79	77	76	73	70	63	59	46	30	8						
	M150	PM37*	7	155	144	127	105	65	21									
			8	175	170	161	145	126	104	78	43							
			9	180	172	163	151	138	115	88	64	39						
PM45		11	180	173	165	152	136	123	101	82	61	32	8					
		12	185	177	169	160	151	138	121	103	82	63	45	11				
		13	191	182	174	168	159	145	133	117	101	86	60	36				
PM58		13	172	165	159	148	136	124	106	86	66	37	12					
PM58B		14	180	172	164	156	147	135	120	104	86	69	51	15				
		15	185	174	165	159	150	141	131	118	101	88	63	38				
PM70B		15	163	157	152	149	145	128	100	64	10							
		16	171	164	156	153	149	144	135	117	79	51						
		17	176	167	159	155	150	146	139	121	82	53						
M200		PM45*	11	229	221	217	193	180	149	128	111	75	42	29				
			12	240	236	230	220	205	194	151	137	123	93	81	41	14		
			13	245	238	229	216	199	186	167	146	122	108	76	55	17		
	PM58	13	232	226	214	200	184	161	139	110	79	36						
	PM58B	14	235	229	222	204	190	169	145	124	100	70	44	12	10			
		15	240	232	226	209	195	179	156	135	110	84	53	32	20	10		
	PM70B	15	163	157	152	149	145	128	100	64	10							
		16	171	164	156	153	149	144	135	117	79	51						
		17	176	167	159	155	150	146	139	121	82	53						

*Note: Smaller displacement motors on larger pumps can cause pressures on hydraulic motor to exceed recommended manufacturer's specifications. Consult factory for details.

HD Magnum™ M125

Specifications

Pump

- Type:** Centrifugal
- Max Recommended Temperature:** 140°F
- Port Size - FNPT (inches):**
 - Inlet: 1-1/4
 - Outlet: 1
- Max. Flow (GPM):** 95
- Max. Pressure - Shut-off (PSI):** 130
- Hydraulic Motor Ports:** 1/2 SAE x FNPT

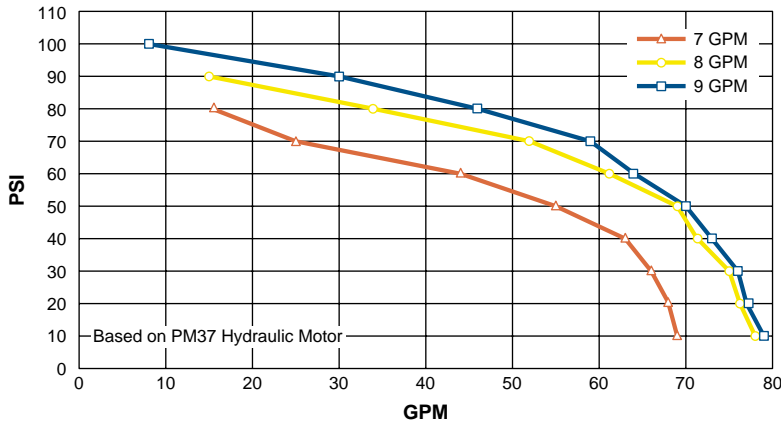


Materials of Construction

- Motor Housing:** Aluminum
- Pump Housing:** Cast iron or stainless steel
- Impeller:** Nylon or polypropylene; with or without stainless steel inserts

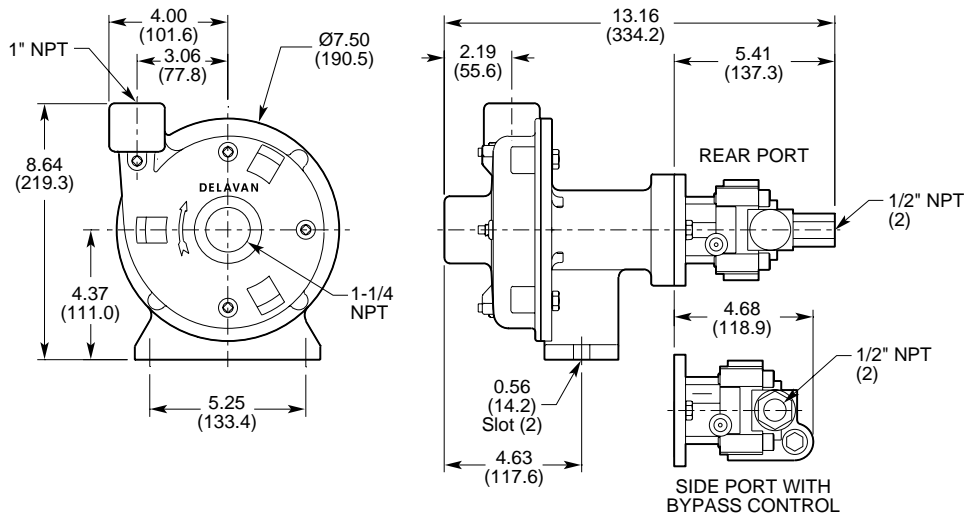


Hydraulically-Driven Centrifugal Pumps



Dimensions Inches (mm)

Weight 29 lbs (13.2 kg)



HD Magnum™ M150

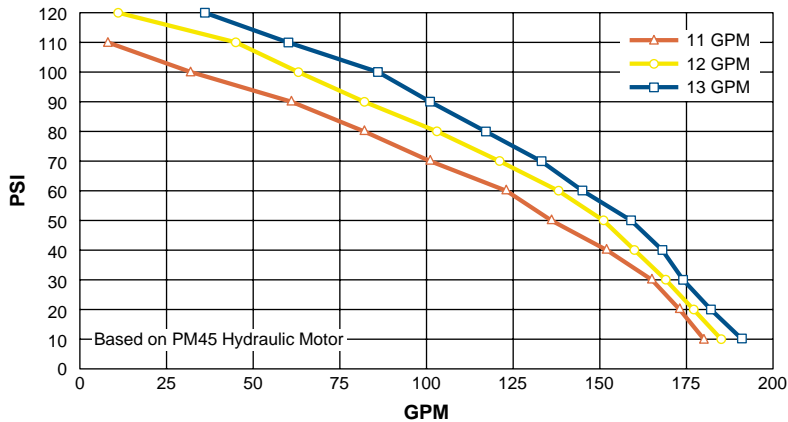
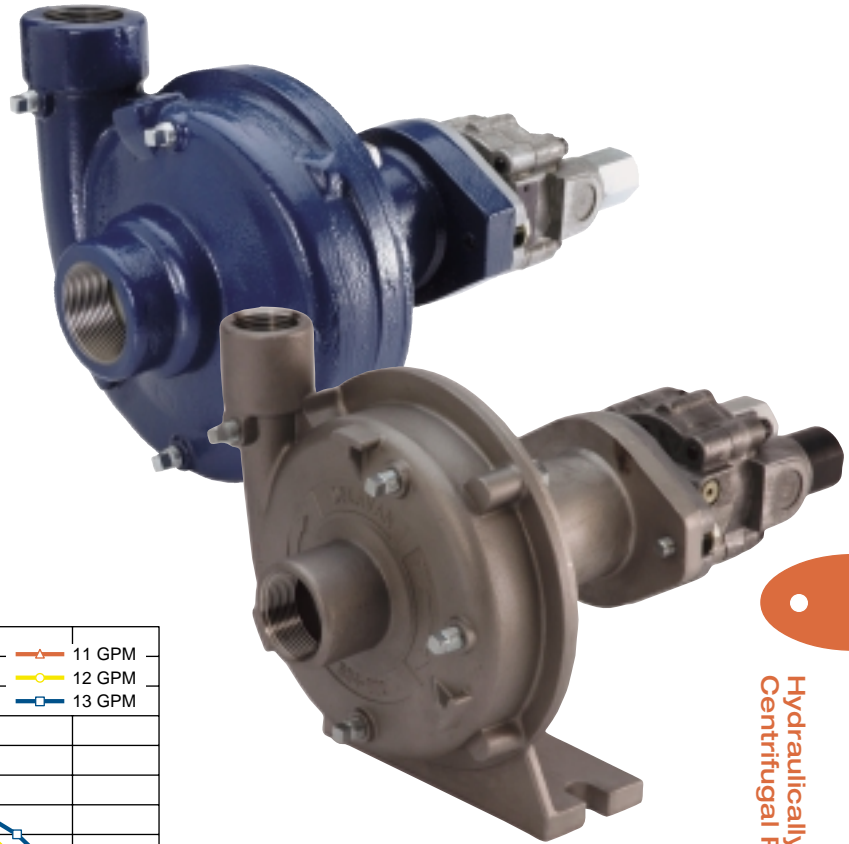
Specifications

Pump

- Type:** Centrifugal
- Max Recommended Temperature:** 140°F
- Port Size - FNPT (inches):**
 - Inlet:** 1-1/2
 - Outlet:** 1-1/4
- Max. Flow (GPM):** 191
- Max. Pressure - Shut-off (PSI):** 140
- Hydraulic Motor Ports - 1/2 SAE x FNPT**

Materials of Construction

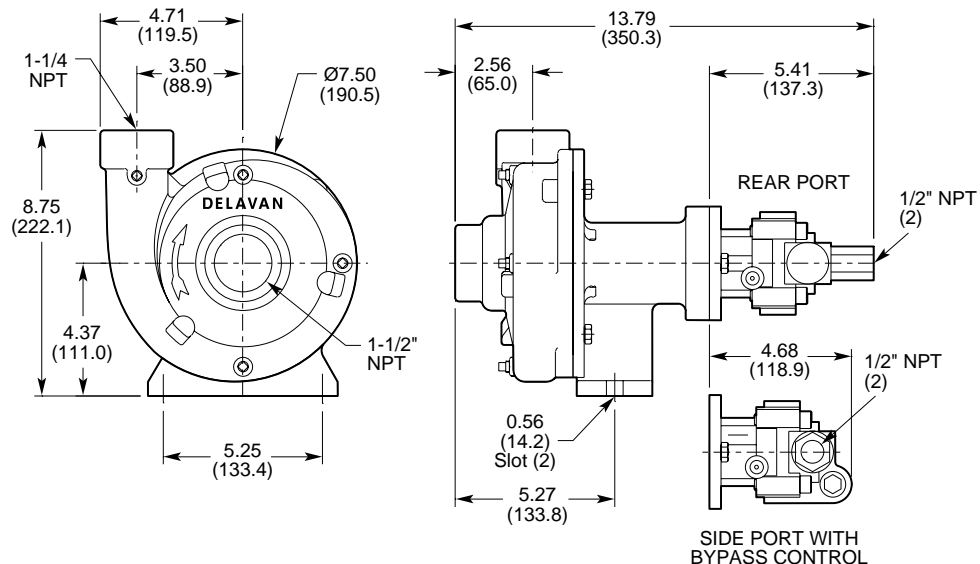
- Motor Housing:** Aluminum
- Pump Housing:** Cast iron or stainless steel
- Impeller:** Nylon or polypropylene; with or without stainless steel inserts



Hydraulically-Driven Centrifugal Pumps

Dimensions Inches (mm)

Weight 32 lbs (14.5 kg)



HD Magnum™ M200

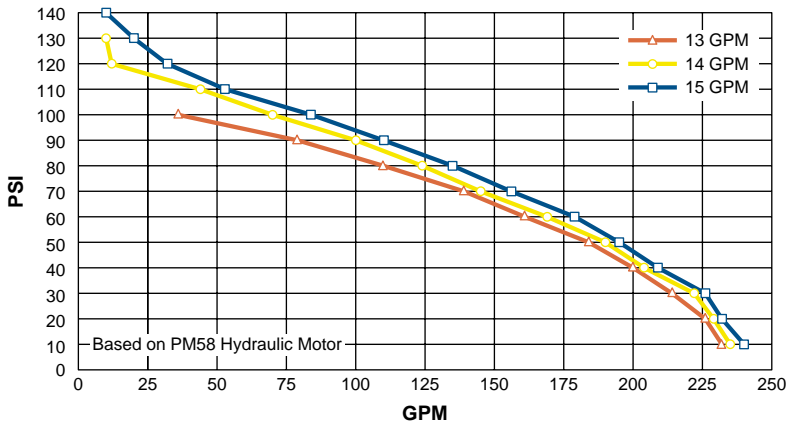
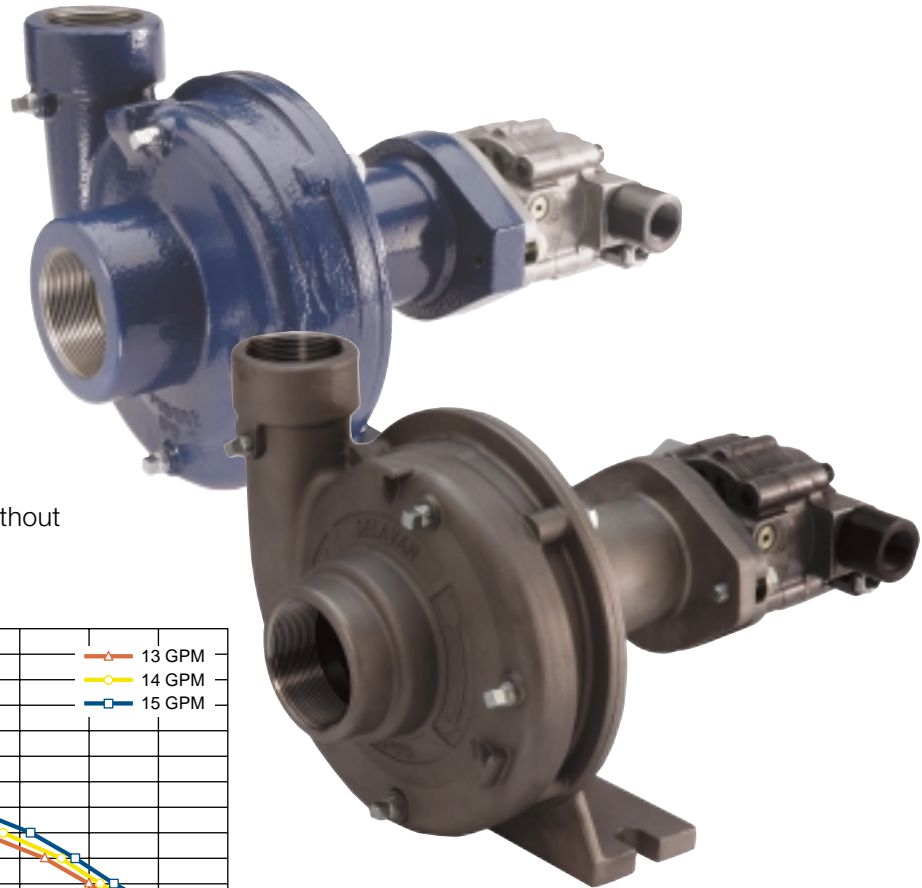
Specifications

Pump

- Type:** Centrifugal
- Max Recommended Temperature:** 140°F
- Port Size - FNPT (inches):**
 - Inlet: 2
 - Outlet: 1-1/2
- Max. Flow (GPM):** 245
- Max. Pressure - Shut-off (PSI):** 145
- Hydraulic Motor Ports - 1/2 SAE x FNPT**

Materials of Construction

- Motor Housing:** Aluminum
- Pump Housing:** Cast iron or stainless steel
- Impeller:** Nylon or polypropylene; with or without stainless steel inserts



Hydraulically-Driven Centrifugal Pumps

Dimensions Inches (mm)

Weight 33 lbs (15.0 kg)

