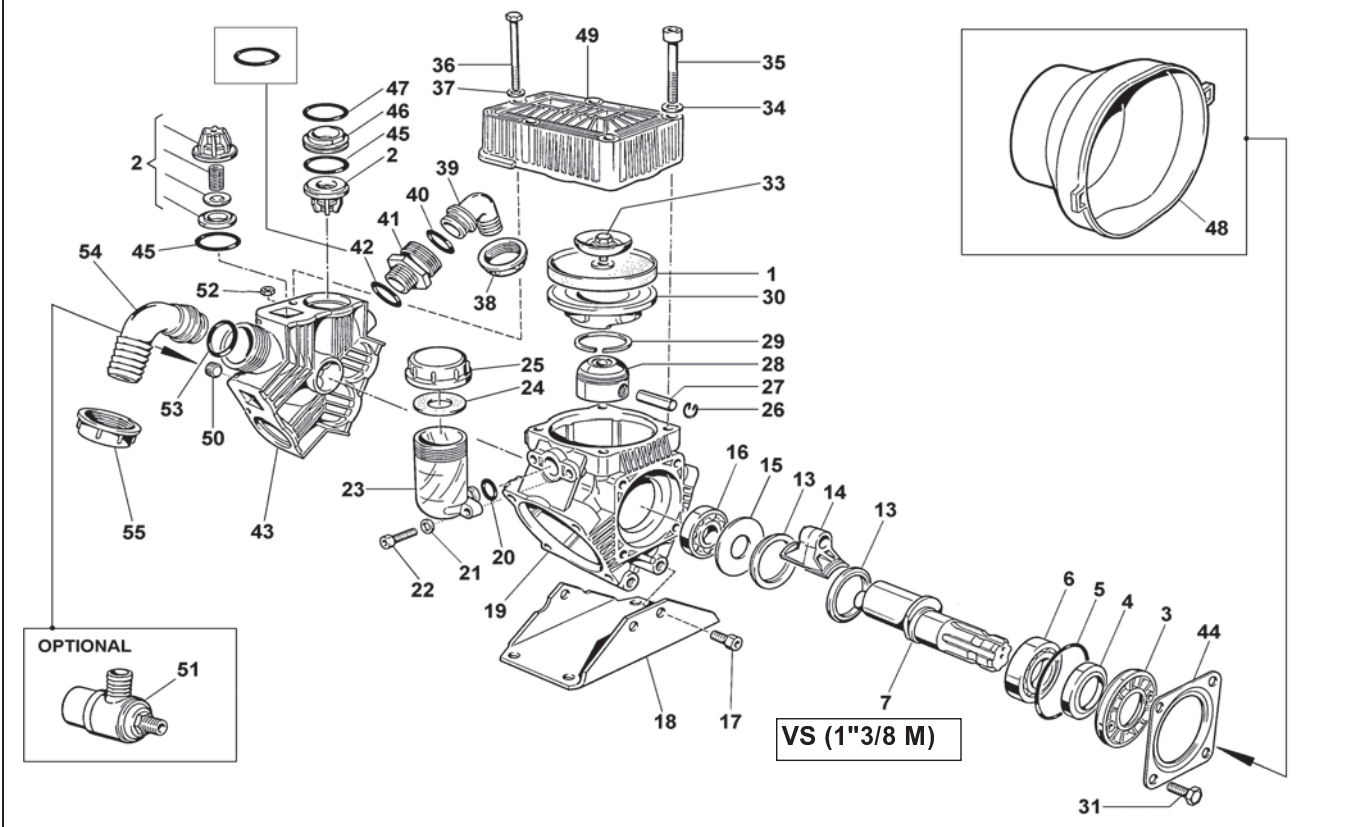


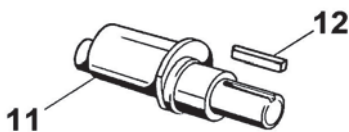
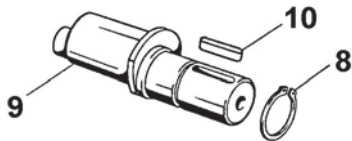
POLY 2073 VS (1"3/8 M)



VERSIONI

VP (D.35 M)

VA (D.1" M)



POS.	CODICE PART NO. REF.	DENOMINAZIONE - DESCRIPTION - DESCRIPTION	Q.TY	POS.	CODICE PART NO. REF.	DENOMINAZIONE - DESCRIPTION - DESCRIPTION	Q.TY
1	95.0040.31.2	PISTON DIAPHRAGM	3	37	84.3693.00.2	WASHER DIA.8,4x17x1,6	3
1	95.0040.33.2	VITON PISTON DIAPHRAGM (OPT.)	3	38	82.0067.50.2	WING NUT G.1"1/4	1
1	95.0040.00.2	DESMOPAN PISTON DIAPHRAGM (OPT.)	3	39	84.0542.40.2	90° ELBOW CONNECTOR DIA.25-1"	1
1	95.0040.36.2	HPS PISTON DIAPHRAGM (OPT.)	3	40	80.3219.05.2	O-RING 3,0x25 VITON	1
2	28.9809.97.3	S.S. VALVE ASSY	6	41	83.5089.50.2	NIPPLES G.1"-G.1"1/4	1
2	63.9800.97.3	POLYPROP. VALVE ASSY (OPT.)	6	42	80.3218.00.2	O-RING DIA.3x22	1
3	53.0007.32.2	HOUSING	1	42	80.3218.50.2	O-RING DIA.3x22 (KIT VITON)	1
4	80.2143.10.2	OIL SEAL DIA.35x52x7	1	42	80.3207.00.2	O-RING 2.62x29.82 till the 12/98	1
5	80.3310.00.2	O-RING 4.0X82	1	43	63.0110.32.2	MANIFOLD	1
6	81.2837.00.2	BEARING DIA.35x62x14	1	44	17.0016.61.2	FLANGE	1
7	63.0009.26.2	CRANKSHAFT "VS" VERSION	1	45	80.3320.60.2	O-RING 5,0x40	6
8	80.1264.00.2	RING DIA.35	1	45	80.3320.70.2	O-RING 5,0x40 (KIT VITON)	6
9	63.0011.26.2	CRANKSHAFT "VP" VERSION	1	46	28.0229.32.2	VALVE ASSY SPACER	4
10	80.6578.00.2	TAB 10x8x35	1	47	80.3219.80.2	O-RING 3,0x39	4
11	63.0016.26.2	CRANKSHAFT "VA" VERSION	1	47	80.3219.90.2	O-RING 3,0x39 (KIT VITON)	4
12	80.6475.00.2	TAB 6,36x6,36x38	1	48	31.1468.32.2	PLAIN SAFETY CONE (OPTIONAL)	1
13	26.0047.76.2	RING	2	49	63.0022.32.2	HEAD	3
14	23.0005.09.2	LIGHT ALLOY CONROD	3	50	85.2585.00.2	CAP G.3/8	1
14	23.0045.11.2	BRONZE CONROD (OPT.)	3	51	24.3016.97.3	SAFETY VALVE 15bar (OPTIONAL)	1
15	95.0097.61.2	CRANKSHAFT SPACER	1	52	81.4574.50.2	NUT M8 UNI5588	3
16	81.2646.00.2	BEARING DIA.20x52x15	1	53	80.3219.15.2	O-RING 3,0x30 VITON	1
17	86.3264.00.2	SCREW M10x25 UNI5931	3	54	84.0570.00.2	90° ELBOW CONNECTOR DIA.35-1,37"	1
18	63.0006.61.2	MOUNTING RAIL	1	54	84.0561.00.2	90° ELBOW CONNECTOR DIA.30-1,18" (OPT.)	1
19	63.0001.09.2	CRANKCASE	1	54	84.0566.00.2	90° ELBOW CONNECTOR DIA.32-1,25" (OPT.)	1
20	80.3180.00.2	O-RING 2,62x15,08	1	54	84.0571.00.2	90° ELBOW CONNECTOR DIA.38-1,49" (OPT.)	1
21	84.3685.50.2	WASHER DIA.8,2x15x1,5	2	54	84.0591.00.2	90° ELBOW CONNECTOR DIA.40-1,57" (OPT.)	1
22	86.2682.50.2	SCREW M8x25 UNI5931	2	55	82.0070.00.2	WING NUT G.1"1/2	1
23	23.0008.32.2	OIL FILLER	1				
24	82.4120.00.2	GASKET DIA.45x19x1,5	1				
25	85.2750.00.2	OIL FILLER CAP	1				
26	80.0021.00.2	RING DIA.15	6				
27	85.2006.70.2	PISTON PIN DIA.15	3				
28	63.0014.09.2	PISTON	3				
29	81.8504.50.2	PISTON RING	3				
30	63.0015.01.2	PISTON SLEEVE	3				
31	86.3184.00.2	SCREW M10x16 UNI5739	4				
33	63.9801.97.3	KIT SCREW/DISK INOX	3				
34	84.3801.50.2	WASHER DIA.10,5x21x2	12				
35	86.3562.50.2	SCREW M10x70 UNI5931	12				
36	86.3002.00.2	SCREW M8x75 UNI5931	3				