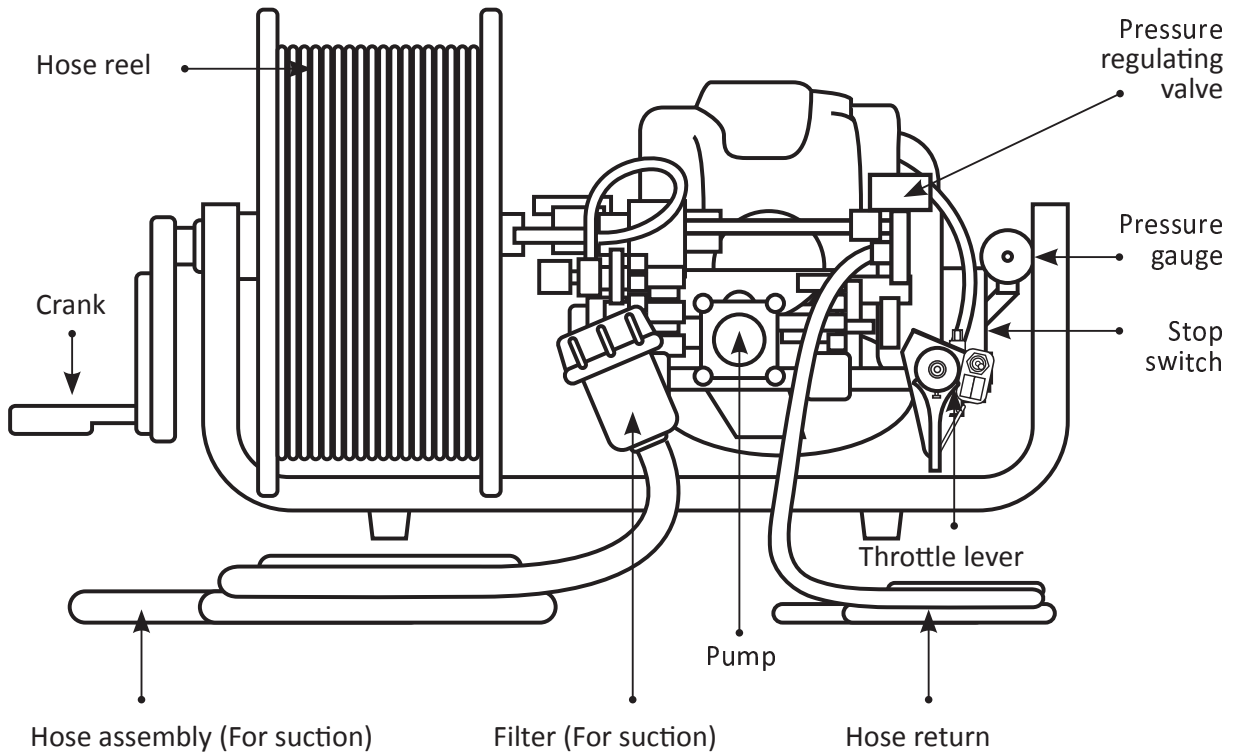
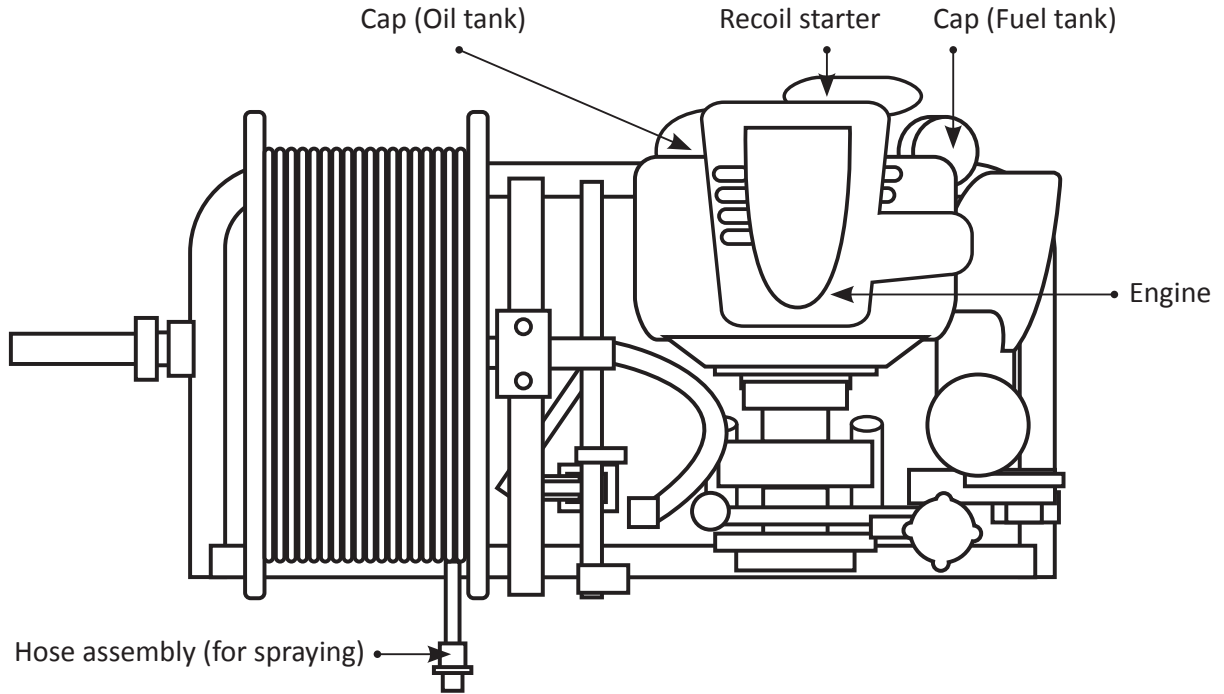


Unit Identification Diagram



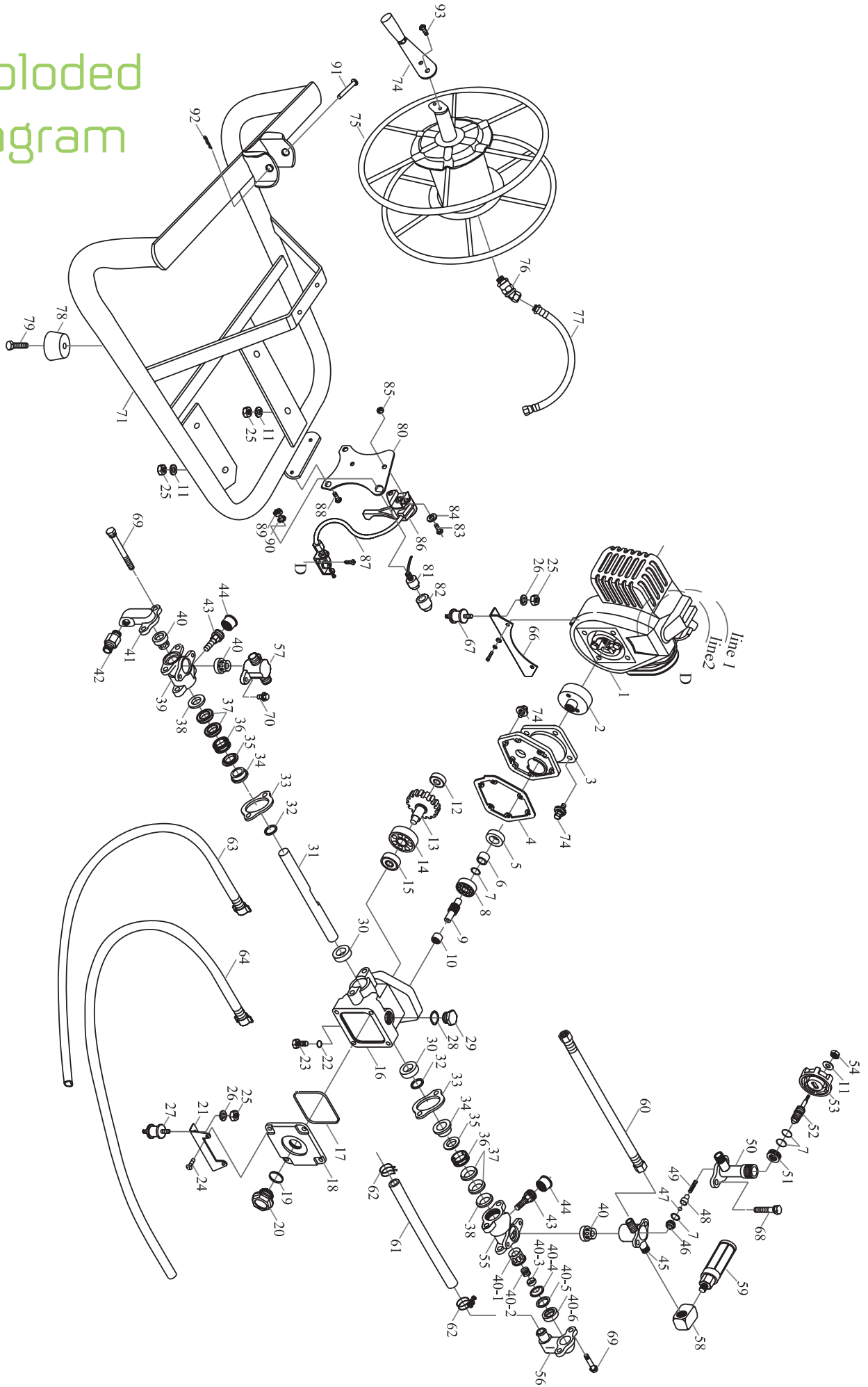
Unit Specifications

	Engine	Pump
MODEL	GX35 Honda 4-Stroke	Rapid Commando
TYPE	4-stroke, OHC single cylinder	Duplex piston pump
MAX. POWER/PRESSURE	1.0kW (1.3HP) @ 7,000RPM	25BAR (360PSI)
MAX. FLOW		12L/min
OIL TYPE	10W/30 API SG	SAE30/30W
OIL CAPACITY	0.1L (100ml)	0.1L (100ml)

Trouble Shooting

Issue	Possible Cause	Resolution
Pump will not prime	<ol style="list-style-type: none"> Insufficient motor RPM Air leak on suction plumbing 	<ol style="list-style-type: none"> Increase motor RPM until pump engages Tighten/replace fittings
Pressure drops under load and pump is noisy	Insufficient motor RPM to prevent clutch slippage	Increase motor RPM
Pressure drops/fluctuates during standard operation	<ol style="list-style-type: none"> Restriction on suction line Pump sucking air Residue on valves 	<ol style="list-style-type: none"> Remove restriction Tighten/replace fittings Disassemble and clean valves/replace broken valve springs if necessary
Unable to get any pressure	<ol style="list-style-type: none"> Residue on valves Broken regulator spring 	<ol style="list-style-type: none"> Disassemble and clean valves/replace broken valve springs if necessary Replace regulator spring

Exploded Diagram



Parts List

No.	Part Name	Part Number	Size	Per. Set
1	Engine GX35			1
2	Clutch Drum	CPUPP002		1
3	Gearbox housing	CPUPP003		1
4	Housing Gasket	CPUPP004		1
5	Oil seal	CPUPP005	17.28.7	1
6	Steel Spacer			1
7	O-ring	CPUPP007	9x13	4
8	Bearing 6201	CPUPP008		1
9	Shaft			1
10	Bearing HK1010	CPUPP010		1
11	Washer	CPUPP011		2
12	Bearing 608	CPUPP012		1
13	Gear shaft			1
14	Bearing 6203	CPUPP014		1
15	Bearing 6200	CPUPP015		1
16	Crank case	CPUPP016	18mm	1
17	O-ring	CPUPP017	G60	1
18	Crank case cover	CPUPP018		1
19	O-ring	CPUPP019	G25	1
20	Oil glass	CPUPP020		1
21	Pump stand			1
22	O-ring	CPUPP022		1
23	Drain plug	CPUPP023		1
24	Screw		M6x12	6
25	Nut		M6	4
26	Spring washer		M6	8
27	Rubber Mount	CPUPP027		2
28	O-ring	CPUPP028		1
29	Oil Filler Cap	CPUPP029		1
30	Oil seal	CPUPP030		2
31	Piston	CPUPP031	18mm	1
32	O-ring	CPUPP032		2
33	Fixed plate		2mm	2
34	Adjusting ring	CPUPP034		2
35	Grease ring	CPUPP035		2

No.	Part Name	Part Number	Size	Per. Set
36	V-packing upper seal	CPUPP036		2
37	V-packing	CPUPP037		4
38	Packing seat	CPUPP038		1
39	Cylinder Head LEFT	CPUPP039		1
40	Valve Assembly	CPUPP040		1
40-1	Valve nut			1
40-2	Valve spring			1
40-3	Valve plug			1
40-4	Valve seat			4
40-5	Valve ring			1
40-6	Valve packing			1
41	Suction Manifold LEFT	CPUPP041		1
42	Connector Nipple			2
43+44	Grease cup	CPUPP043 & CPUPP044		1
45	Outlet Manifold	CPUPP045		1
46	Regulator seat	CPUPP046		1
47	Regulator ball	CPUPP047		1
48	Regulator ball cup	CPUPP048		1
49	Regulator Spring	CPUPP049		1
50	Regulator valve Housing	CPUPP050		1
51	Regulator Housing Nut	CPUPP051		1
52	Regulator valve screw	CPUPP052		1
53	Regulator knob	CPUPP053		1
54	Nyloc nut	CPUPP054	M6	1
55	Cylinder head RIGHT	CPUPP055		1
56	Suction Manifold RIGHT	CPUPP056		6
57	Outlet manifold LEFT			4
58	Elbow 1/4NPT			8
59	Pressure gauge	CPUPP059		2
60	Pressure Manifold Hose	CPUPP060		1
61	Suction manifold hose	CPUPP061		1
62	Hose clamp	CPUPP062		2
63	Bypass hose	CPUPP063		1
64	Suction hose			2
66	Engine stand			1

No.	Part Name	Part Number	Size	Per. Set
67	Rubber Mount	CPUPP067		2
68	Screw		M6x45	2
69	Screw		M6x75	2
70	Screw		M6x12	2
71	Steel Frame	CPUPP071		1
74	Screw		M6x16	10
75	Hose Reel Spool	CPUPP075		1
76	Hose reel swivel	CPUPP076		1
77	Hose reel whip hose	CPUPP077		1
78	Rubber Foot	CPUPP078		4
79	Screw		M8*25	4
80	Throttle mounting plate			1
81	Kill switch			1
82	Rubber sheath			1
83	Screw		3/16"x3/8"L	2
84	Washer		3/16"	2
85	Nut		3/16"	2
86	Throttle			1
87	Throttle Cable comp			1
88	Screw			2
89	Washer			2
90	Nut			2
93	Screw			2
94	Screw			2
122	Ball valve & tee piece	CPUPP0122		1

Spare Parts Kit

Part Name	Part Number	Parts Included
Regulator Assembly for Rapid Commando	CPUPH050	
Spare Seals and Valves Kit	CPUPH120	5x1, 7x1, 17x1, 19x1, 22x1, 28x1, 30x2, 32x2, 36x2, 37x4, 38x2, 40x4
Spare Seals Kit for Rapid Commando	CPUPH121	30x2, 32x2, 36x2, 37x4, 38x2
Regulator Spares Kit for Rapid Commando	CPUPH122	7x3, 46x1, 47x1, 48x1, 49x1
Rubber Mount Kit for Spray Marshal	CPUPH123	27x2, 67x2, 78x4, 79x4
30m Hose for Spray Marshal	CPUPH130	Includes fittings