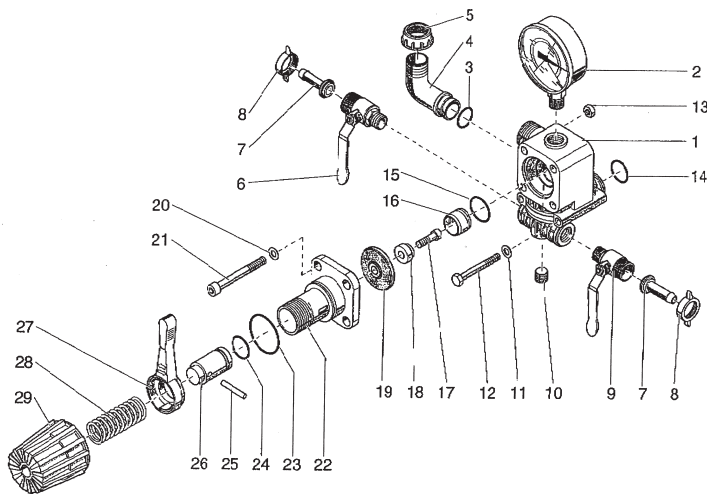


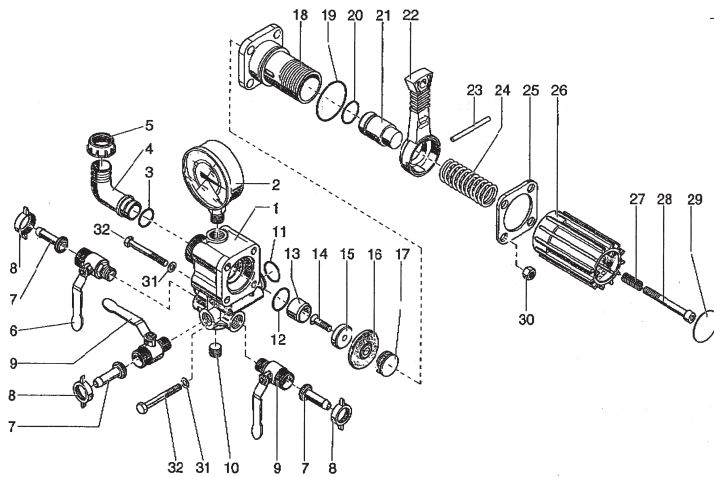
## SPARE PARTS LIST - KARIN - STAP77 (15 bar) + STAP78 (40 bar)



Spares Kits								
Rapid Spray Part No.	STAP133							
Kit Part No.	25.9963.97.3							
Kit Description	Karin Kit							
Position No.	3	14	15	16	18	19	23	24
Quantity Incl.	1	1	1	1	1	1	1	1

Pos.	Part No.	Qty	Description
1	24.0310.32.2	1	Valve Housing
1	83.0080.00.2	1	Pressure Gauge 0-100 Bar
2	83.0010.00.2	1	Pressure Gauge 0-24 Bar
3	80.3060.00.2	1	O-Ring 1.78 x 12.42
4	84.0521.00.2	1	90° Elbow Connector Dia. 20
5	82.0042.10.2	1	Wing Nut G.3/4
6	84.5544.10.2	1	Left Tap G.3/8 - G.1/2
7	84.1544.00.2	2	Outlet Straight Port D.10
8	82.0010.00.2	2	Wing Nut G.1/2
9	84.5544.00.2	1	Right Tap G.3/8 - G.1/2
10	85.2585.00.2	1	Cap G.3/8
11	84.3585.00.2	2	Washer Dia. 6.4 x 12.5 x 1.6
12	86.2426.00.2	2	Screw M6 x 60 UNI5737
13	84.4525.00.2	4	Nut M5 UNI5588
14	80.3218.00.2	1	O-Ring 3.0 x 22
15	80.3059.00.2	1	O-Ring D.1.78 x 11.11
16	24.0320.51.2	1	Valve Seat
17	86.1841.50.2	1	Screw M4 x 12
18	24.0319.51.2	1	Poppet
19	24.0313.36.2	1	HPS Diaphragm
20	84.3539.00.2	4	Washer Dia. 5.3 x 10 x 1
21	86.1944.20.2	4	Screw M5 x 50
22	24.0311.32.2	1	Flange
23	80.3075.00.2	1	O-Ring
24	80.3175.00.2	1	O-Ring 2.62 x 10.78
25	85.1148.00.2	1	Pin
26	24.0314.53.2	1	Guiding Piston
27	24.0312.32.2	1	Lever
28	24.0316.48.2	1	Spring 40 Bar
28	24.0550.48.2	1	Spring 15 Bar
29	24.0321.32.2	1	Knob

## SPARE PARTS LIST - STING - STAP79 (15 bar) + STAP80 (40 bar)



Spares Kits								
Rapid Spray Part No.	STAP134							
Kit Part No.	25.9964.97.3							
Kit Description	Sting Kit							
Position No.	3	11	12	13	15	16	19	20
Quantity Incl.	1	1	1	1	1	1	1	1

Pos.	Part No.	Qty	Description
1	24.0300.32.2	1	Valve Housing
2	83.0080.00.2	1	Pressure Gauge (0-100 Bar)
2	83.0010.00.2	1	Pressure Gauge (0-24 Bar)
3	80.3060.00.2	1	O-Ring 1.78 x 12.42
4	84.0521.00.2	1	90° Elbow Connector Dia. 20
5	82.0042.10.2	1	Wing Nut G.3/4
6	82.5544.10.2	1	Left Cap G.3/8 - G.1/2
7	84.1544.00.2	2,3	Outlet Straight Port D. 10
8	82.0010.00.2	2,3	Wing Nut G.1/2
9	84.5544.00.2	1,2	Right Tap G.3/8 - G.1/2
10	85.2585.00.2	1,2	Cap G.3/8
11	80.3213.00.2	1	C-Ring 3.0 x 22
12	80.3182.00.2	1	C-Ring 2.62 x 17.13
13	26.0220.18.2	1	Valve Seat
14	86.1934.80.2	1	Screw M5 x 16 UNI5933 Inox
15	26.0201.18.2	1	Ceramic Poppet
16	26.0189.36.2	1	HPS Diaphragm
17	26.0203.32.2	1	Diaphragm Holder Piston
18	24.0301.32.2	1	Flange
19	80.3208.20.2	1	O-Ring 2.62 x 34.6
20	80.3181.20.2	1	O-Ring 2.62 x 15.88
21	24.0302.53.2	1	Guiding Piston
22	24.0303.32.2	1	Lever
23	85.1161.00.2	1	Pin Dia. 4 x 45.5
24	26.0217.48.2	1	Spring (15 Bar)
24	26.0212.48.2	1	Spring (40 Bar)
25	24.0304.61.2	1	Shim
26	24.0304.32.2	1	Knob
27	24.0306.49.2	1	Spring
28	86.2428.00.2	1	Screw T.C.E.I. M6 x 65 UNI5931
29	24.0307.32.2	1	Cap
30	81.4542.00.2	4	Nut M6 UNI5588
31	84.3585.00.2	6	Washer Dia. 6.4 x 12.5 x 1.6
32	86.2426.00.2	6	Screw M6 x 60 UNI5737