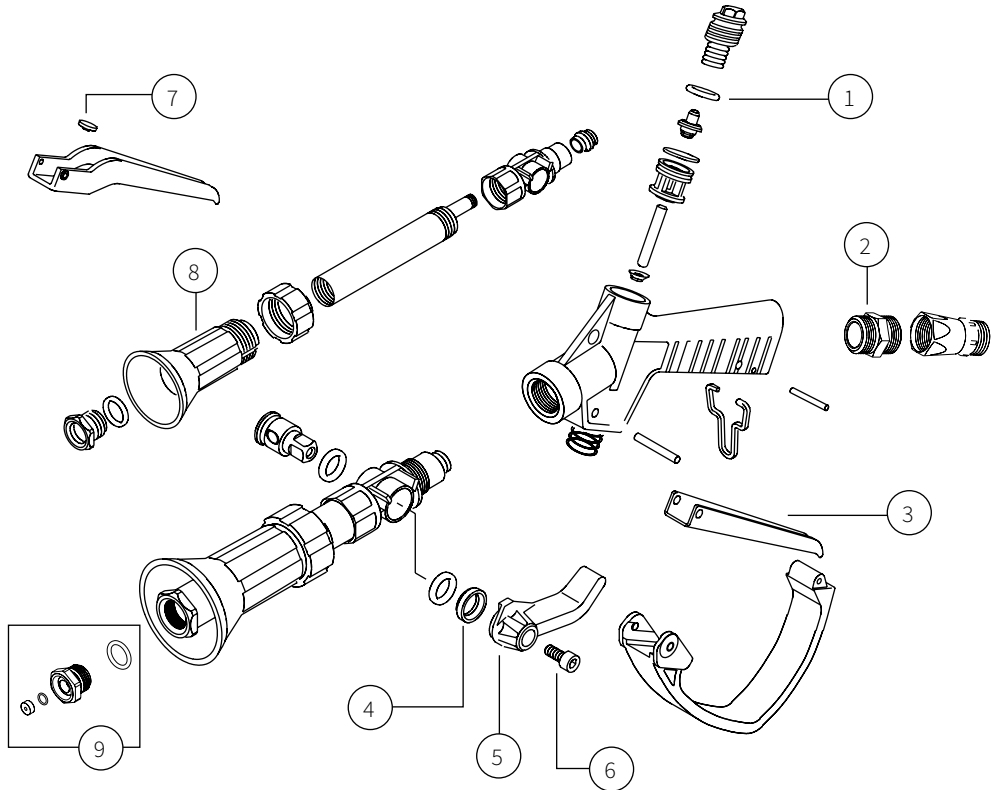


TURBO 400 SPRAY GUN | AHG103



#	Part No.	Description
1	CRP2360236	O-Ring 121
2	CRP1626095	1/2" BSP Ring Nut
3	CRP239024	Metal Trigger (only suits Turbo 400 guns)
4	CRP26150614	O-Ring (orange lever)
5	CRP269026	Regulator Trigger
6	CRP26190220	Screw for orange lever
7	CRP2980140	Insert 8x4.8
8	CPLP102C	Plastic Shroud only

#	Part No.	Description
	CPLK102R	Complete Repair Kit for Turbo 400 Spray Gun
	CLPK102S	M30 Seals Kit
	CLPK102V	Viton Seals Kit
9	CPLP102N15 / 23 / 35	1.5mm / 2.3mm / 3.5mm Nozzle Kits