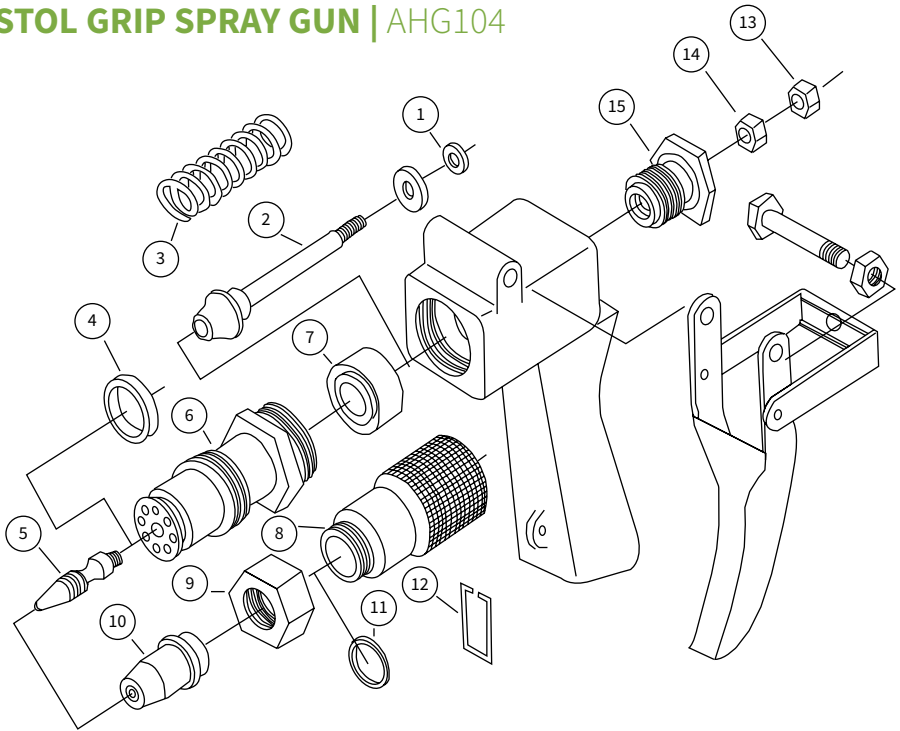


## PISTOL GRIP SPRAY GUN | AHG104



#	Part no.	Description
1 *		O Ring - Rubber
2 *		Valve Shaft - Brass with Chrome Plated
3	CPLD104Z05	Stainless Steel Spring
4 *		Gasket - Rubber
5 *		Pressure Axle - Brass
6	CPLD104Z08	Adjustable Shaft - Brass
7 *	CPLD104Z09	Gasket - Rubber
8	CPLD104Z10	Adjustable Bush - Brass
9	CPLD104Z11	Nut - Brass
10	CPLP104N [nozzle size]	Nozzle (nozzle size: 1mm, 1.5, 2, 2.5, 3, 3.5, 4, 6)
11 *	CPLD104Z13	O Ring - Rubber
12	CPLD104Z14	Fixed Ring
13	CPLD104Z18	Nut
14	CPLD104Z19	Nut
15	CPLD104Z20	Plug Nut
# *	CPLK04R	* All items with star included in repair kit.