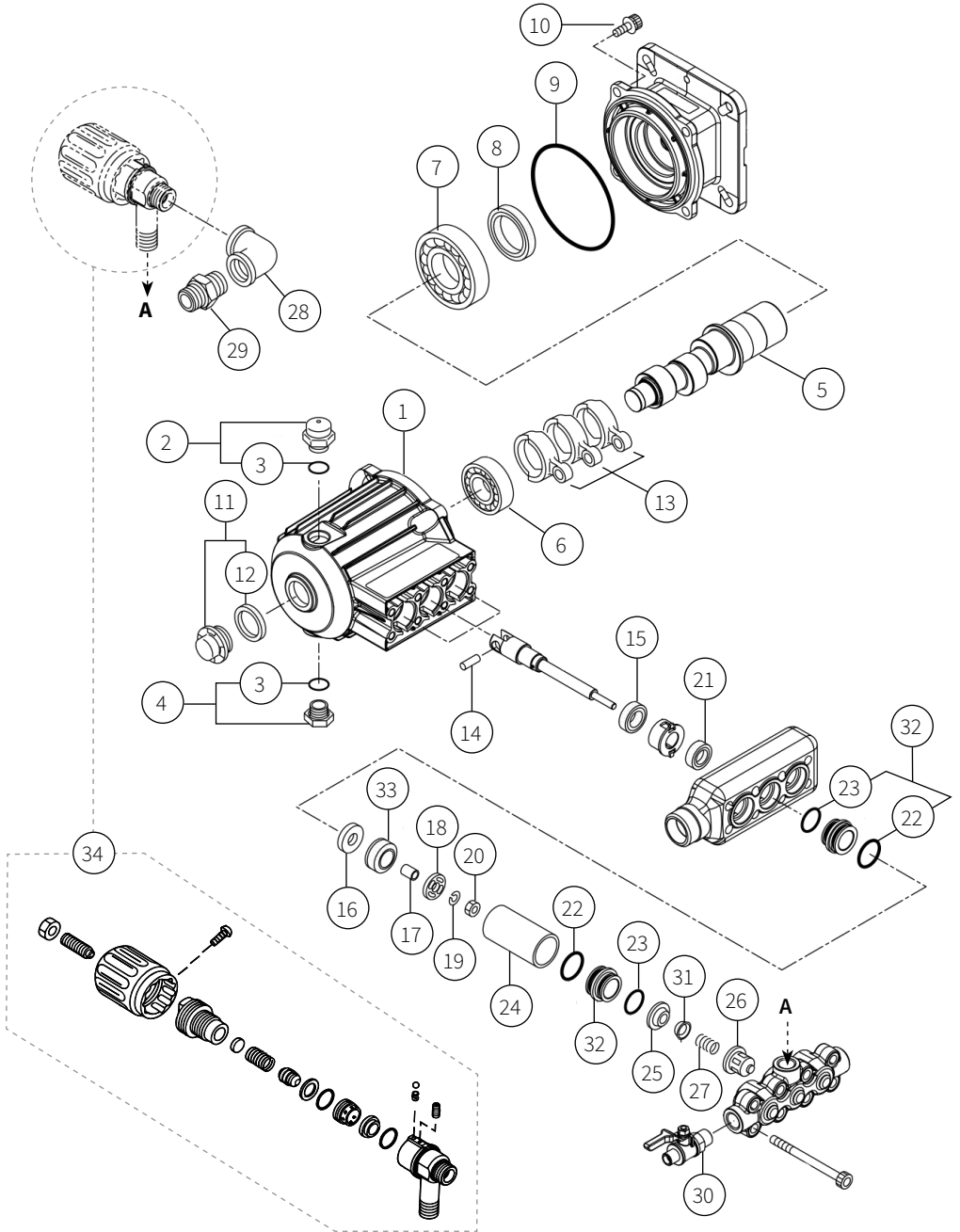


# MARUYAMA 45L/MIN PUMP | AMP0450R



## Rapid Spray Parts Breakdown

#	CODE	DESCRIPTION	QTY
1	131417	Crankcase	1
2	566227	Cap Oil Filler	1
3	566348	O-Ring P20	5
4	811174	Plug Assembly (inc. 3)	1
5	661793	Crank Shaft	1
6	049363	Bearing #63 / 22	1
7	126962	Bearing #6208	1
8	125351	Oil Seal	1
9	014043	O-Ring S110	1
10	127285	Screw M8 x 25	4
11	566356	Oil Gauge (inc. 12)	1
12	566359	Packing 25 x 34 x T2	5
13	049364	Rod Connecting	3
14	049366	Pin Piston 10 x 19.5	3
15	047215	Oil Seal SC16267	3
16	027813	Machined Disc 6 x 24 x T3.8	3
17	027499	Spacer (Sleeve type) 6 x 8.5 x 11	3
18	566374	Retainer Piston	3
19	566375	Washer Lock M6	5
20	566376	Nut Nylon Insert M6 (see. 24 468469)	5
21	566379	U-Packing	3
22	043781	O-Ring Cylinder 24.2 x 2.3	6
23	566384	O-Ring P22	6
24	103954	Cylinder Pipe 28.5 x 32 x 56	3
25	566386	Machined Tapered Disc	3
26	566240	Retainer Spring 310	3
27	566391	Spring 0.6 - 15L	3
28	864012	Elbow 1/2	1
29	040389	Nipple PT1 / 2XPF1/2	1
30	833094	On / Off Lever	
31	566389	Machined Disc Discharge	
32	566784		
33	468469		
<b>Regulator / Relief Valves</b>			
34		MS170 Relief Valve	