

Delavan 12 Volt Pumps Specification Sheet



APD0114Q10E



APD0152Q12E



APD0190Q12E

Delavan 12 Volt Pumps 5900 Series

Unit Specifications

Item	Description	Details
Pump Models	APD0114Q10E APD0152Q12E APD0190Q12E	5 chamber positive displacement pump capable of being run dry
Motor	12VDC	Permanent magnet, totally enclosed, non ventilated
Liquid Temp.		60°C (140°F) max.
Priming Capabilities		4m (14ft)
Max. Pressure		4 bar, 60psi (400kpa) demand switch
Open Flow	APD0114Q10E APD0152Q12E APD0190Q12E	11.4L/min 15.2L/min 19L/min
Housing		Polypropylene
Valves		Viton
Diaphragm		Santoprene
Leads		14 AWG, 0.3 metres long
Inlet/Outlet Ports	APD0114Q10E APD0152Q12E APD0190Q12E	Quick attach ports 3/8" barb elbow Quick attach ports 12mm barb elbow
Power Supply		2 pin electrical connector
Fasteners		Stainless steel
Weight		2.7kgs

Delavan 12 Volt Pumps Specification Sheet

Features

- All Delavan pumps complete with heavy duty steel cased motor and sealed ball bearings on both ends of motor shaft
- Made in USA
- All pumps supplied with barbed elbows
- Polypropylene housing, santoprene diaphragm & viton valves for superior chemical resistance

Delavan Pump Accessories

Quick Attach Filters - ATPFS050Q12



- Available to suit 5900 series pumps
- 1/2" Quick attach fitting
- 12mm hose barb for return
- Polypropylene body
- EPDM gaskets
- Stainless steel cartridge 50 mesh
- Filter capacity 20 L/min
- Easy to clean, simply unscrew top, remove strainer and wash out

Wire Harness Kit - ATCWLO3612VSAC



- 3.6 metre wire harness kit with on/off switch, fuse, 2 pin connector, alligator clips and lighter adaptor for vehicles
- Max 10 Amp draw

Quick Attach Regulator & Gauge - ATRM020LQ12G



- 1/2" Quick attach fitting
- 1/2" threaded fitting
- 12mm hose barb for return
- Complete with glycerin filled pressure gauge 200psi
- Internal parts in Delrin and Stainless Steel AISI 303
- Polypropylene body reinforced with fibreglass EPDM gaskets

Quick Attach Connectors

- Available in 10mm & 12mm barb sizes, elbow & straights

Code	Description
CDP5DFA38X2	Quick Attach 10mm straight x2 for 5900
CDP5DFE38X2	Quick Attach 10mm elbow x2 for 5900
CDP5DFA12X2	Quick Attach 12mm straight x2 for 5900
CDP5DFE12X2	Quick Attach 12mm elbow x2 for 5900



2

Delavan Pump Spare Parts Kits

SPARE PARTS AVAILABLE FOR ALL 12 VOLT PUMPS



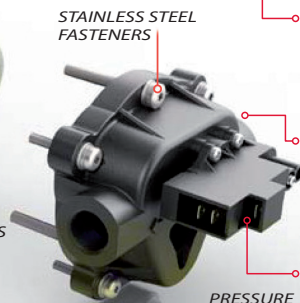
12 VDC MOTOR with ball bearings on both ends of shaft



SANTOPRENE DIAPHRAGM



VITON VALVES



PRESSURE SWITCH

Code	Description
CDPLHA55031E77	Lower housing assy - for 5900 pumps - Diaphragm

Code	Description
CDPVHA55031E77	Valve housing assy for 5900 pumps

Code	Description
CDPUHA55031E77	Upper housing assy for 5900 pumps

Code	Description
CDP580RPSW60	Pressure switch only - to suit 5900 series pumps

Delavan 12 Volt Pumps Specification Sheet

Pump Performance

APD0114Q10E

PSI	LPM	Amps
10	12.1	3.5
20	10.6	5.8
30	10.0	7.2
40	9.3	8.3
50	8.3	9.1
60	7.6	9.9

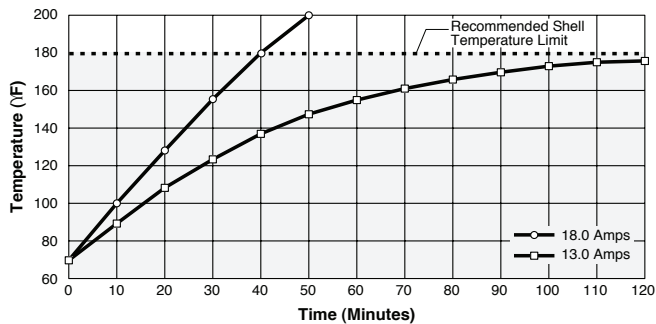
APD0152Q12E

PSI	LPM	Amps
10	15.2	4.8
20	14.0	6.1
30	11.7	7.7
40	10.2	9.6
50	9.5	10.8
60	9.1	11.3

APD0190Q12E

PSI	LPM	Amps
10	19.0	6.0
20	17.1	9.0
30	15.5	11.0
40	14.4	13.0
50	13.5	14.6
60	12.1	16.3

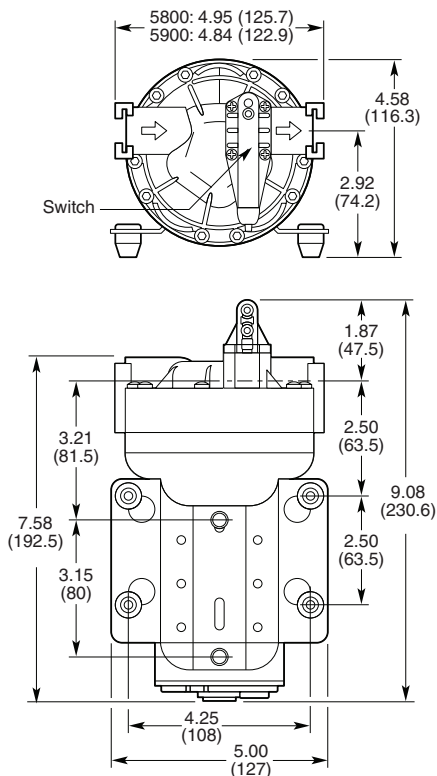
Heat Rise



Approximate values, actual values will vary with ambient temperature.

Pump Dimensions [mm]

APD0114Q10E



APD0152Q12E / APD0190Q12E

