

# Delavan 12 Volt Pumps Specification Sheet



APD0038Q10E



APD0077Q10E



APD0077T10E



APD0076Q10E

## Delavan 12 Volt Pumps 7800 Series

### Unit Specifications

Item	Description	Details
Pump Models	ADP0038Q10E ADP0077Q10E ADP0077T10E ADP0076Q10E	3 chamber positive displacement diaphragm pump, self-priming, capable of being run dry
Motor	12VDC	Permanent magnet, totally enclosed, non ventilated
Liquid Temp.		60°C (140°F) max.
Priming Capabilities		4m (14ft)
Max. Pressure	ADP0038Q10E ADP0077Q10E ADP0077T10E ADP0076Q10E	60psi (400kpa) demand switch  100psi (660kpa) demand switch
Open Flow	ADP0038Q10E ADP0077Q10E ADP0077T10E ADP0076Q10E	3.8L/min 7.5L/min 7.5L/min
Housing		Polypropylene
Valves		Viton
Diaphragm		Santoprene
Leads		14 AWG, 0.3 metres long
Inlet/Outlet Ports	ADP0038Q10E ADP0077Q10E ADP0076Q10E ADP0077T10E	Quick attach ports 3/8" barb elbow  3/8" female threaded ports FNPT
Power Supply		2 pin electrical connector
Fasteners		Stainless steel
Weight		2.7kgs

# Delavan 12 Volt Pumps Specification Sheet

## Features

- All Delavan pumps complete with heavy duty steel cased motor and sealed ball bearings on both ends of motor shaft
- APD0076Q10E fin cooled for consistent performance
- Made in USA
- All pumps supplied with 10mm elbow fittings
- Polypropylene housing, santoprene diaphragm & viton valves for superior chemical resistance

## Delavan Pump Accessories

### Quick Attach Filters - ATPFS050Q10



- Available to suit 7800 series pumps
- 1/2" Quick attach fitting
- 12mm hose barb for return
- Polypropylene body
- EPDM gaskets
- Stainless steel cartridge 50 mesh
- Filter capacity 20 L/min
- Easy to clean, simply unscrew top, remove strainer and wash out

### Wire Harness Kit - ATCWLO3612VSAC



- 3.6 metre wire harness kit with on/off switch, fuse, 2 pin connector, alligator clips and lighter adaptor for vehicles
- Max 10 Amp draw

### Quick Attach Regulator & Gauge - ATRM020LQ10G



- 1/2" Quick attach fitting
- 1/2" threaded fitting
- 12mm hose barb for return
- Complete with glycerin filled pressure gauge 200psi
- Internal parts in Delrin and Stainless Steel AISI 303
- Polypropylene body reinforced with fibreglass EPDM gaskets

## Delavan Pump Spare Parts Kits

SPARE PARTS AVAILABLE FOR ALL 12 VOLT PUMPS



12 VDC MOTOR with ball bearings on both ends of shaft



SANTOPRENE DIAPHRAGM



VITON VALVES



PRESSURE SWITCH

### Quick Attach Connectors

- Available in 10mm & 12mm barb sizes, elbow & straights

Code	Description
CDP3DFA38X2	Quick Attach 10mm straight x2 for 7800
CDP3DFE38X2	Quick Attach 10mm elbow x2 for 7800
CDP3DFA12X2	Quick Attach 12mm straight x2 for 7800
CDP3DFE12X2	Quick Attach 12mm elbow x2 for 7800



2

### Geolast Diaphragm

- Geolast diaphragm available for use with diesel based sprays



Code	Description
CDPLHA78607E77	Lower housing assy - for 7801 pumps - Diaphragm
CDPLHA78637F77	Lower housing assy - for 7802 pumps - Diaphragm
CDP53LHA002	Lower housing assy - for 7800 pumps - Geolast Diaphragm
Code	Description
CDPUHA78637F77	Valve housing assy for 7800 pumps
Code	Description
CDPUHA78637F77	Upper housing assy for 7800 pumps
CDPUHA78637F77T	Upper housing assy for 7812 pumps
Code	Description
CDP7800PSW60	Pressure switch only - to suit 7800 series pumps
CDP7800PSW100	Pressure switch only - to suit 7802 100psi pumps

# Delavan 12 Volt Pumps Specification Sheet

## Pump Performance

### APD0038Q10E

PSI	LPM	Amps
10	4.5	1.8
20	3.2	2.7
30	2.6	3.2
40	2.3	3.7
50	1.7	4.2
60	1.5	4.7

### APD0077Q10E

PSI	LPM	Amps
10	7.6	2.8
20	6.4	3.7
30	6.0	4.2
40	5.9	4.7
50	4.7	5.2
60	4.0	5.7

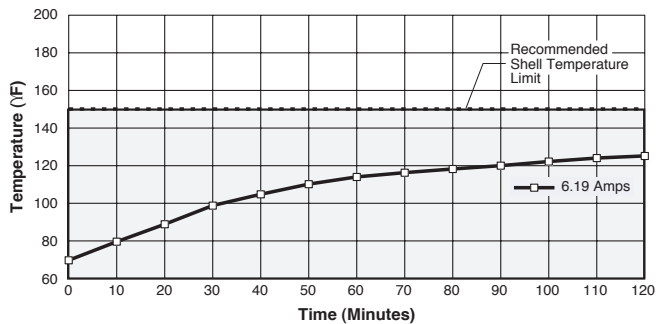
### APD0077T10E

PSI	LPM	Amps
10	7.6	2.8
20	6.4	3.7
30	6.0	4.2
40	5.9	4.7
50	4.7	5.2
60	4.0	5.7

### APD0076Q10E

PSI	LPM	Amps
10	7.6	2.8
20	6.4	3.7
30	6.0	4.2
40	5.8	4.7
50	4.7	5.2
60	4.0	5.7
100	3.8	7.5

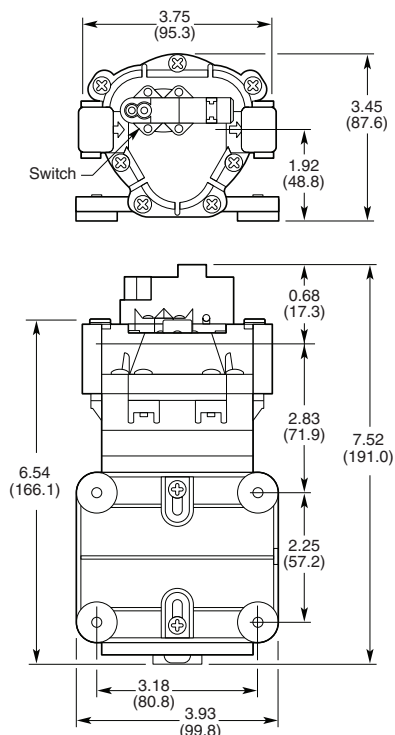
## Heat Rise



Approximate values, actual values will vary with ambient temperature.

## Pump Dimensions [mm]

### APD0038Q10E



### APD0077Q10E / APD0077T10E / APD0076Q10E

