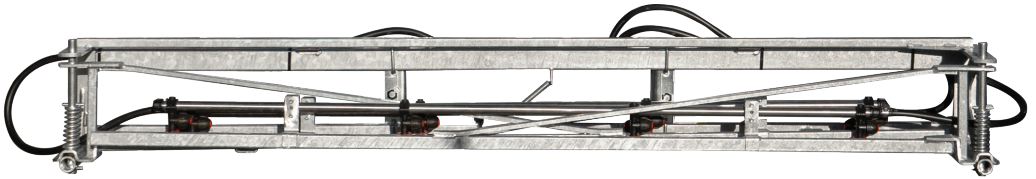




FLAT FOLD STEEL BOOM

ASSEMBLY HANDBOOK



6M | 8M | 10M



INTRODUCTION

Thank you for your purchase of a Rapid Spray Flat Fold Steel Boom. With “whack” protection for those accidental impacts with trees or fence lines, mount easily and spray confidently with your new Flat Fold Boom!

MODELS

Please note your unit may not have all the parts or accessories listed in this handbook.

This handbook covers the following models (including any custom variations):

ABMF060



ABMF080



ABMF100



DISCLAIMER: In line with our policy of continuous improvement, the weights, dimensions, parts and design may change slightly from what is shown in this operators handbook. Please call 1800 011 000 if there are any questions.

***WARNING:** Always obey vehicle and UTV/ATV manufacturer instructions regarding loading and operation. Please check weight restrictions. Serious death or injury can occur from improper usage. Rapid Spray accepts no liability for the unsafe operation of this unit.

! WARNING !

Always follow safe tool handling techniques. Where Personal Protective Equipment where required. Keep children and animals out of reach.

TWO person lift. Use safe lifting and handling techniques: don't lift on your own if > 20kg, bend knees and keep back straight.

ASSEMBLY KIT

TOOLS NEEDED



Knife



13mm Spanner



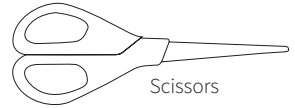
8mm Screw driver / Socket driver



Hose Cutter



16mm Spanner

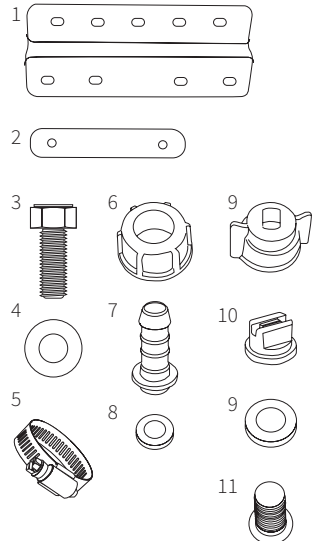


Scissors

BOOM COMPONENTS

#	Part No.	Qty	Description
	ABMF060/080/100	1	Flat Fold Boom (6m / 8m / 10m)
		3	Hose length
		1	Boom mounting hardware
1	ASKB02A	2	Boom mounting Z-bracket
2	ASKB02B	2	Boom mounting tapped plate / slide
3	CHS10M03046Z	4	M10 x 30 4.6 Set screw Zinc
4	CHWF10MHZ	4	M10 3/8 Flat Washer Zinc
5	CFCWZ1222MM	3	Hose clamp 12-22mm worm drive
6	CAP2002020	3	1/2" Fly nut
7	CFBS12N10T	3	10mm Straight Brass hosetail
8	CYWFN18X12X5	3	18.5 x 12.5 x 2mm Nylon Washer
9	CNQG40290003	12	Quick couple nozzle cap & gasket (6m)
		16	Quick couple nozzle cap & gasket (8m)
		20	Quick couple nozzle cap & gasket (10m)
10	CNSLD110020	12	Low drift 110° nozzle .02 Yellow (6m)
		16	Low drift 110° nozzle .02 Yellow (8m)
		20	Low drift 110° nozzle .02 Yellow (10m)
11	CNRC424311	12	Cylindrical Nozzle Filter 100 mesh (6m)
		16	Cylindrical Nozzle Filter 100 mesh (8m)
		20	Cylindrical Nozzle Filter 100 mesh (10m)
			Zipties

*Not to scale



HOW TO ASSEMBLE

Watch 7 minute video on how to assemble your Flat Fold Steel Boom: scan the QR code below or head to www.rapidspray.net/resources/videos



INSTRUCTION VIDEO

See <https://www.rapidspray.net/resources/videos> or scan the QR code to go direct to “how-to-assemble” video.

1. Have all parts and tools ready for assembly. Keep children and animals clear.
2. Asking a friend to help, remove the boom from the box.
3. Mount the Z-brackets using the side with the four holes to the back of the boom (two parallel bars) using the U-bolts, bolts, washers and nuts provided.
4. Attach the boom plates / slides to the Z-bracket using bolts, washers and nuts provided. Do not tighten, leave loose.
5. Asking a friend for help, slide / install the boom onto your sprayer / boom mounts.
6. Tighten the bolts on the boom plates / slides in your desired mounting position. Extend the boom arms.
7. Fit the three hose lengths to the centre, left and right boom arms using the hose clamps. Route the hose at the back of the boom and hinge. Ensure there is sufficient free play in the hose for when the boom folds. Connect the hose to the boom outlets on your sprayer using the fly nuts, brass hosetail and nylon washers or hose clamps.
8. Fold the boom arms back in and tidy up the hose using the zip ties provided.
9. Install the nozzle into the cap, followed by the gasket. Next insert the filter into the nozzle body, followed by the cap with nozzle. Quarter turn to lock in place. Repeat for all nozzle bodies.
10. Your Flat Fold boom is now ready for use.

CAUTION: test with clean water before using chemicals to ensure no fittings require tightening.



REGISTER WARRANTY

See <https://www.rapidspray.net/resources/warranty-registration> to register your Flat Fold Steel Boom for warranty.