

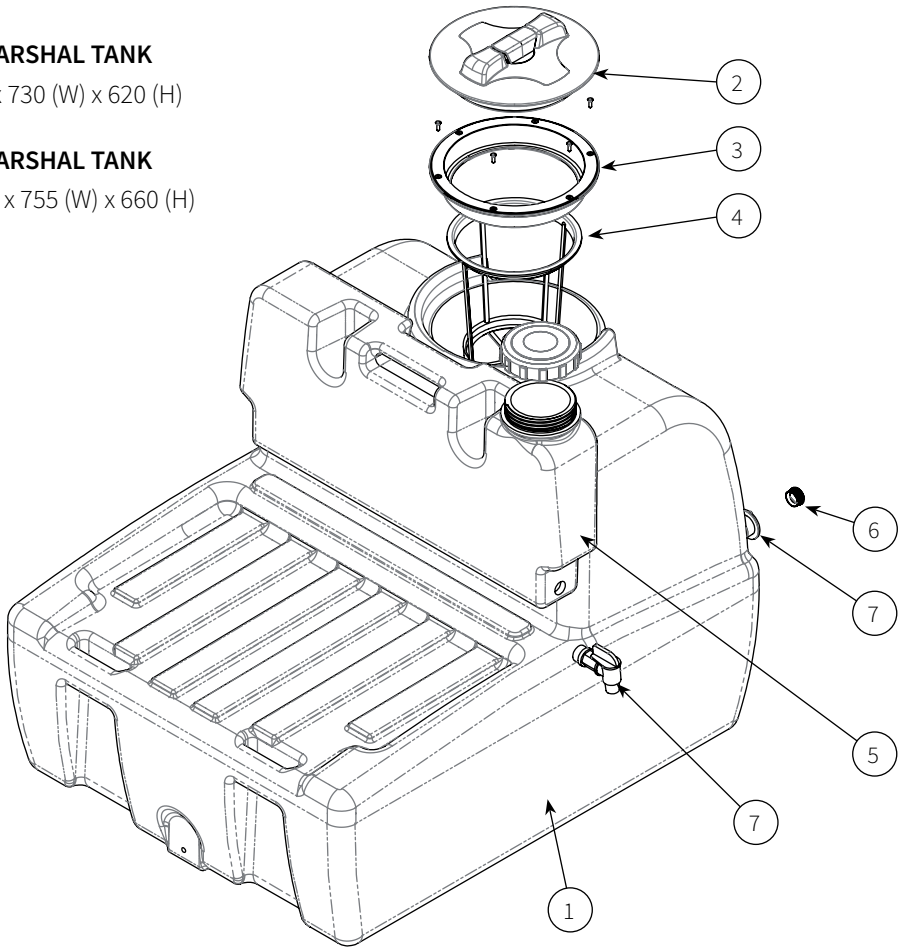
## MARSHAL TANK PARTS BREAKDOWN

### 250L MARSHAL TANK

910 (L) x 730 (W) x 620 (H)

### 400L MARSHAL TANK

1480 (L) x 755 (W) x 660 (H)



#	Part No.	Qty	Description
1	AMPTC00200ATT / 400BTT	1	200 / 400L Marshal Tank
2, 3, 4	ARLP250VSR	1	255mm Screw Lid
5	AMAXPM010BK	1	10L Rinse Tank (only Marshal Plus units)
6,7	CFNB20M	1	3/4" poly Drain Bun & Seal
8	CFVTB20M	1	3/4 20mm Bibcock (only Marshal Plus units)