

# Rapid Blue<sup>®</sup> Genius DEF Dispensing Units Specification Sheet



DAL0100LT035AV1

## 100 & 200 Litre Rapid Blue Genius Units

### Unit Specifications

Item	Description	Details
Tank	100 & 200 litre	Tanks manufactured from urea grade polyethylene – Diesel Exhaust Fluid (DEF) compatible. 10 year warranty. Padlockable covered pump compartment
Pump	12 Volt ADPT035V1P	35 L/min stainless steel vane pump with internal bypass. 2 year warranty. Made in Italy
Hose		4 metres of 19mm flexible delivery hose
Filler cap	AALC001CCF	Non vented pad-lockable filler cap with EPDM seals, strainer & anti-loss chain
Breather	AALB060	Stainless steel specifically designed splash resistant breather
Nozzle	AAGAS20	3/4" Stainless steel auto shut-off nozzle for controlled dispensing
Ports		3/4" BSP ports
Power Source	12 volt	4m of electrical cable with battery clips and fuse
Mounting		4 x M8 brass inserts in base of tank
Drain	Bung	3/4" drain bung

1

### Tank Specifications

Code	Tank Size (litres)	Length (mm)	Width (mm)	Height (mm)	Weight (kg)
DAL0100LT035AV1	100	800	680	465	32
DAL0200LT035AV1	200	800	680	710	38

\* Tank dimensions may vary slightly due to the manufacturing process

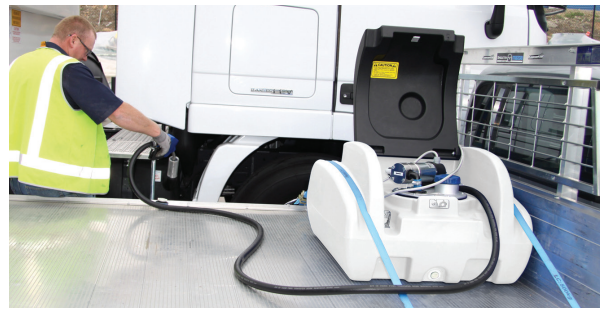
# Rapid Blue® Genius DEF Dispensing Units Specification Sheet

## Pump Specifications

Pump Model	Description	Flow	Current (nom.A)	Duty Cycle	Port
Svelto Blue pump – ADPT035V1P	12 volt rotary electric vane pump	35 L/min	25	30 mins	3/4" BSP

## Features

- Stainless steel swivel to prevent hose tangles
- Lockable covered pump compartment
- Moulded handles for easy lifting and tie down
- 35 L/min all stainless steel pump with internal bypass for durability and ease of use
- Stainless steel auto shut-off nozzle for controlled dispensing
- 4 metres of 19mm flexible delivery hose



## Rapid Blue Pump & Kit – Stainless Steel Pump



**35 L/min Svelto Blue Pump  
– ADPT035V1P**



**Non Vented Padlockable  
Filler Cap with EPDM Seals,  
Strainer & Anti-loss Chain  
– AALC001CCF**



**Stainless Steel Auto  
Shutoff Handgun for  
Rapid Blue Units  
– AAGAS20**



**Stainless Steel Splash  
Resistant DEF Breather  
– AALB060**



**35 L/min Svelto Blue Pump  
Kit with Auto Nozzle  
– ADPT035V1K**

# Rapid Blue® Genius DEF Dispensing Units Specification Sheet

## Options



### Digital Flow Meter 5 Digit – ADFPE25D5

- 5-digit easy to read LCD display powered by lithium battery (CR2)
- Fluid Type: For diesel, kerosene & Diesel Exhaust Fluid eg; Ad Blue™, NoNox®, Air1®
- Flow Rate: 10-100 LPM / 3-26 GPM
- Max. Operating Pressure: 72PSI / 5BAR
- Inlet/Outlet: 1"

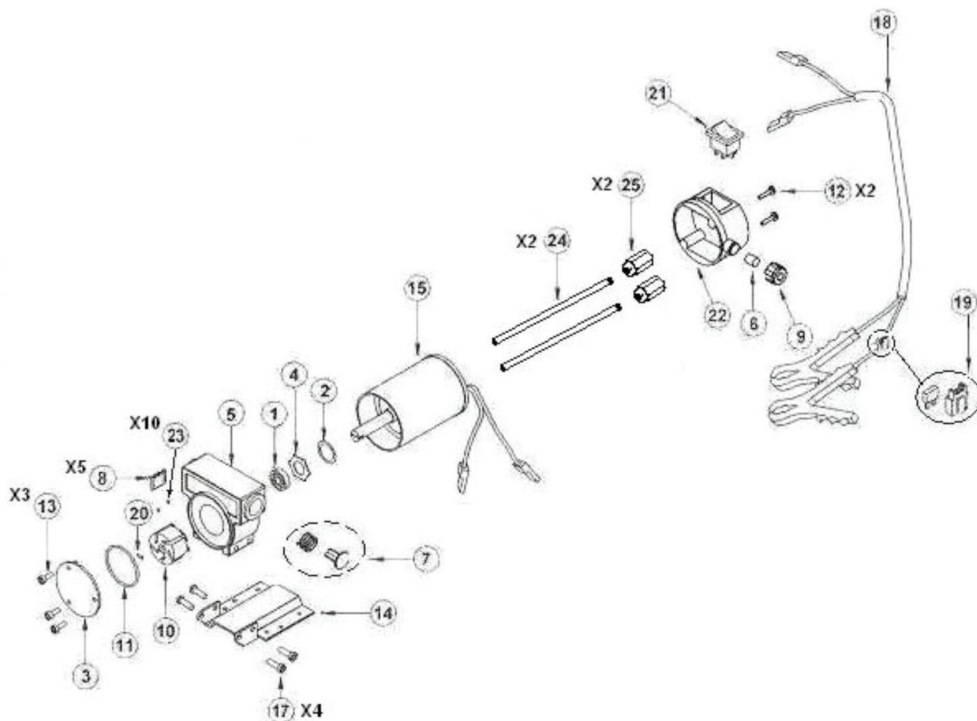


### Forkable Steel Frames for Genius DEF Units – ASFD00100

- Easy to load convenience
- Strong hot dipped galvanised steel construction
- Bolts directly to tank for secure mounting
- Anti-theft

## Parts Breakdown – SVELTO

ADPT035V1P – 12 volt 35 l/min with battery cables



## Parts List

No.	Part Name	Per. Set
1	Bearing	1
2	Seal	1
3	Pump Cover	1
4	O-ring	1
5	Pump Body	1
6	Seal	1
7	Pump Bypass	1
8	Pump Spring	5
9	Gland	5
10	Rotor	1
11	Seal	1
12	Screw 6 x 40	2
13	Screw 5 x 8	3
14	Pump Base	1
15	Motor	1
17	Screw 6 x 12	4
18	Leads with Alligator Clips	2
19	Fuse	1
20	Reed	2
21	Switch	1
22	Cap	1
23	Bypass	5
24	Threaded Rod	2
25	Nut	2