

Silver Selection Sprayers Specification Sheet



SSV0055L0077



SSV0095L0077



SSV0150L0077



SSV0225L0077

12 Volt Sprayers with Delavan 7.5l/min 60psi Pumps

Unit Specifications

Item	Description	Details
Tank	55 Litre 95 Litre 150 Litre 225 Litre	Durable UV stabilised polyethylene tank for long life. Made in USA
Pump	Delavan 12 volt (7.5 L/min 60psi)	Delavan 3 chamber positive displacement diaphragm pump. 7.5 L/min open flow 400kpa (60psi), demand switch, viton valves, santoprene diaphragm. Capable of being run dry.
Pressure Regulator	Pressure relief valve	400psi max operating pressure with 1/2" inlet port (MPT) and 3/4" FPT discharge. Polypropylene and brass construction. 100psi dry pressure gauge with bottom mount. 1/4" MNPT fitting
Filter		10mm suction foot filter
Spray Lance	Powerjet	Powerjet spray gun with stainless steel ball & seat and brass housing. Overall length 700mm. Max pressure 20 bar 300psi. Adjustable spray nozzle and 10mm hoesetail
Spray Hose	4.5 metres x 10mm agricultural spray hose	High flexibility, kink resistant spray hose
Lid	150mm	150mm screw lid with tether
Power Source	12 volt	2.4 metre 12 volt electrical leads with switch and alligator clips
Drain	Drain plug	Threaded drain cap with seal and anti-loss strap

Silver Selection Sprayers Specification Sheet

Tank Specifications

Code	Tank Size (Litres)	Length (mm)	Width (mm)	Height (mm)	Weight (kg)
SVS0055L0077	55	865	390	345	9
SVS0095L0077	95	865	390	345	10
SVS0150L0077	150	900	620	500	20
SVS0225L0077	225	900	620	650	20

Pump Specifications

Pump Model	Motor	Liquid Temp	Priming Capabilities	Max Pressure	Housing	Valves	Diaphragm	Fasteners	Weight (kg)
APD0077T10E	12 VDC permanent magnet, totally enclosed, non-ventilated	60°C	4m	100psi (7 bar)	Polypropylene	Viton	Santoprene	Stainless steel & zinc plated	2.7

Features

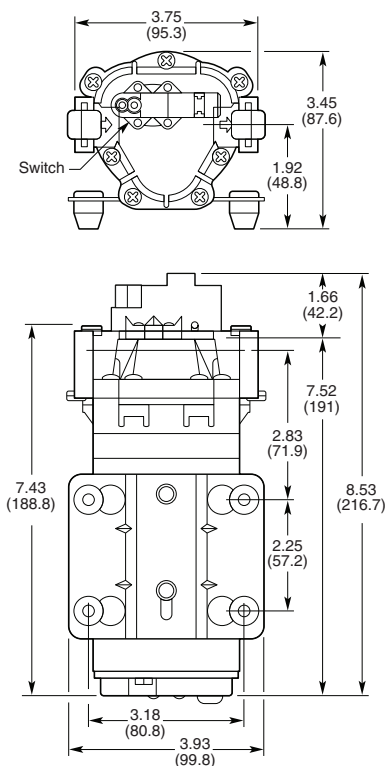
- Reduced chemical use through accurate pressure control saves you money!
- Selective spray pattern for a perfect kill without waste
- Quick cleaning with our easy flow drainage system. Simply rinse and tilt to drain. Saves water, saves time!
- Spray lance clips for secure lance storage
- Lid comes complete with anti-loss strap
- Powerjet spray gun with adjustable brass nozzle for accurate spraying
- Tanks calibrated for easy measurement of contents

Pump Performance

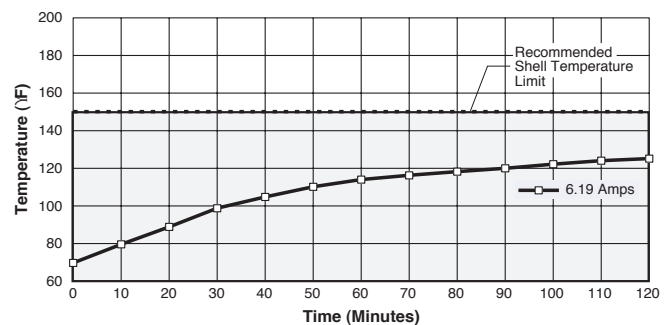
- APD0077T10E 7.5 L/MIN 60PSI

PSI	LPM	Amps
10	7.6	2.8
20	6.4	3.7
30	6.0	4.2
40	5.9	4.7
50	4.7	5.2
60	4.0	5.7

Pump Dimensions (mm)



Heat Rise



Approximate values, actual values will vary with ambient temperature.

Silver Selection Sprayers Specification Sheet

Options

Silver Selection Booms

Choose any of these booms to complete your spray package

- 3 sizes: 2 metre, 3 metre and 4 metre spray width
- Fitted with deflector type spray nozzles at 1 metre spacings
- 3 metre & 4 metre booms have spring loaded positive action breakaway and vertical fold capacity
- Powder coated steel construction
- Some assembly required



Vertical fold capability

Skid Mounted Sprayers

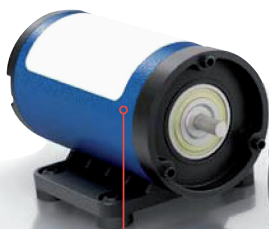
- All-in-one spray units for side-by-sides
- Choose from 2 sizes of sprayers: 150 litre or 225 litre
- Sturdy powder coated steel frame with hose wrap facility
- Choose from 2, 3 & 4 metre booms
- Easy to bolt together
- Use for ute mounted or UTV spray systems



150L Skid Mount Unit
with 3m Boom

Delavan Pump Spare Parts Kits

 SPARE PARTS AVAILABLE FOR ALL 12 VOLT PUMPS



12 VDC MOTOR
with ball bearings on
both ends of shaft



SANTOPRENE
DIAPHRAGM



VITON VALVES



STAINLESS STEEL
FASTENERS

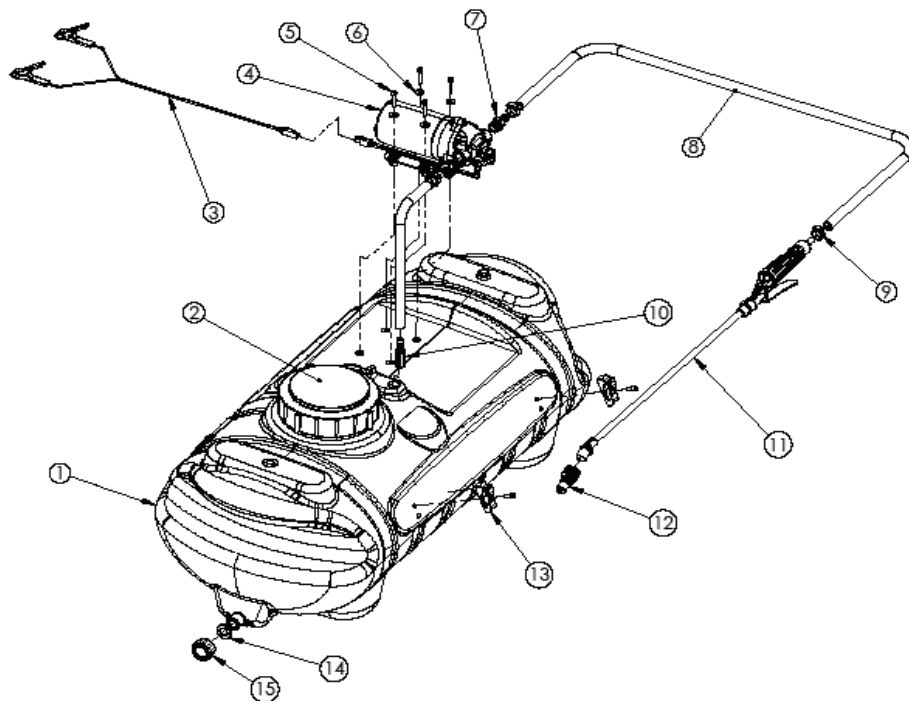
PRESSURE
SWITCH

Code	Description
CDPLHA78607E77	Lower housing assy - for 7801 pumps - Diaphragm
CDPLHA78637F77	Lower housing assy - for 7802 pumps - Diaphragm
CDP53LHA002	Lower housing assy - for 7800 pumps - Geolast Diaphragm
Code	Description
CDPVHA78637F77	Valve housing assy for 7800 pumps
Code	Description
CDPUHA78637F77	Upper housing assy for 7800 pumps
CDPUHA78637F77T	Upper housing assy for 7812 pumps
Code	Description
CDP7800PSW60	Pressure switch only - to suit 7800 series pumps
CDP7800PSW100	Pressure switch only - to suit 7802 100psi pumps

Silver Selection Sprayers Specification Sheet

Parts Breakdown

– SVS0055L0077 / SVS0095L0077 / SVS0150L0077 / SVS0225L0077



Parts List

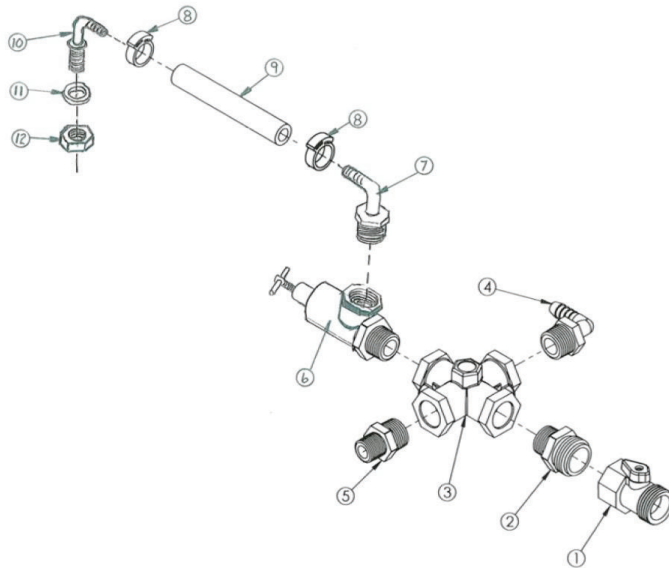
No.	Part No.	Description	Per. Set
1	33-103231	Tank 55 litre	1
	33-103230	Tank 95 litre	1
	33-103245	Tank 150 litre	1
	33-103246	Tank 225 litre	1
2	ARLP150AT	Lid, Tank	1
3	ATCWLO2412VSA	Harness, wire, SS	1
4	APD0038	Pump, Delavan 3.8 L/min (40psi)	1
	APD0077T10E	Pump, Delavan 7.7 L/min (60psi)	1
5	33-103126	Screw, machine 10-24 x 5/8, 3.8 LPM pumps	4
	33-103127	Screw, machine 10-24 x 1", 7.7 LPM pumps	4
6	33-103131	Washer #10, 7.7 LPM pumps only	4
7	A38	Fitting, 3/8"MNPT x 3/8"HB 7.7 LPM pumps	2
8	3204-1407	Hose, rubber, 3/8"	4.5 metres
9	SHC-F	Clamp, hose	3
10	33-103121	Strainer, inlet	1
11	AHL009	Wand with filter	1
12	CPLP009N	Nozzle, assembly	1
13	CHCLP12MMX2	Clip, Gun (pair)	1
14	W406-U	Washer, Garden hose	1
15	ATPVC20T	Cap, Garden hose	1
	3204-1407	Hose, rubber, 3/8", intake, 15/55 (G/L) & 25/95 (G/L) tanks	533mm
	3204-1407	Hose, rubber, 3/8", intake, 40/150 (G/L) & 60/225 (G/L) tanks	711mm

Silver Selection Sprayers

Specification Sheet

Manifold System Suit

– SVS0055L0077 / SVS0095L0077 / SVS0150L0077 / SVS0225L0077



Parts List

No.	Part No.	Description	Per. Set
1	CFVBP025M025F	Valve, garden hose	1
2	CFNN20M12M	Adaptor, 1/2" MPT X 3/4" garden hose thread	1
3	CVPGCR1214	Cross, 1/2" FMPT x 1/4" gauge port	1
4	CFNE12M10B	Elbow, 1/2" MNPT x 3/8" HB	1
5	CFNN12M10M	Adaptor, 1/2" MNPT x 3/8" MNPT	1
6	ATRU400PT12	Pressure regulator	1
7	CFNE20M10B	Elbow, 3/4" MNPT x 3/8" HB	1
8	CFCIP10	Hose clamp	2
9	33-103153	Hose, 3/8"	355mm
10	NTL38-C	Nozzle fitting x 3/8" HB	1
11	CFWFE25X14X3	Washer	4
12	B12	Nut, 11/16"	1