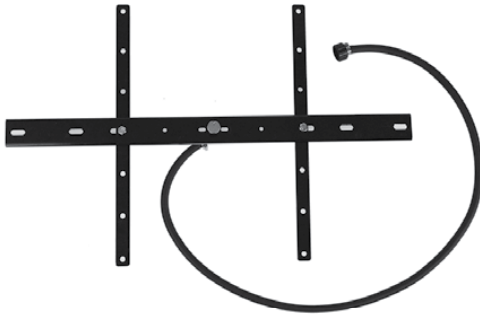

BOOMLESS SPRAY KIT

OPERATORS HANDBOOK



ABSC050

WARNING

IMPROPER USE OR FAILURE TO FOLLOW INSTRUCTIONS CAN RESULT IN PRODUCT FAILURE OR INJURIES. FOR SAFE USE OF THIS PRODUCT, YOU MUST READ AND FOLLOW ALL INSTRUCTIONS BEFORE USING.

INTRODUCTION

The purpose of this manual is to assist you in the assembly, operation and maintenance of your sprayer or accessories. Please read through this manual completely to fully understand how to operate and maintain your equipment. This product has been manufactured to provide years of dependable service, proper operation and maintenance will ensure its dependability. Keep your manual in a safe, convenient place for future reference. Always mention the model and part number in any correspondence.

ASSEMBLY INSTRUCTIONS

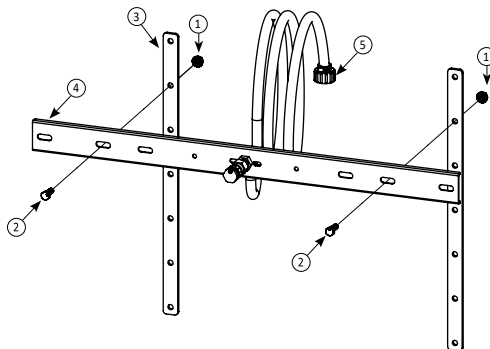
The following instructions are intended for the attachment of the seven foot boom to a RapidMix spot sprayer, lawn trailer, 3-point sprayer or ATV kit.

CONFIGURATION 1 - Brass Flood Tip

NOTE: Depending on the ATV/UTV, a mounting bracket (P/N XXXXX, not shown) may be necessary for secure mounting.

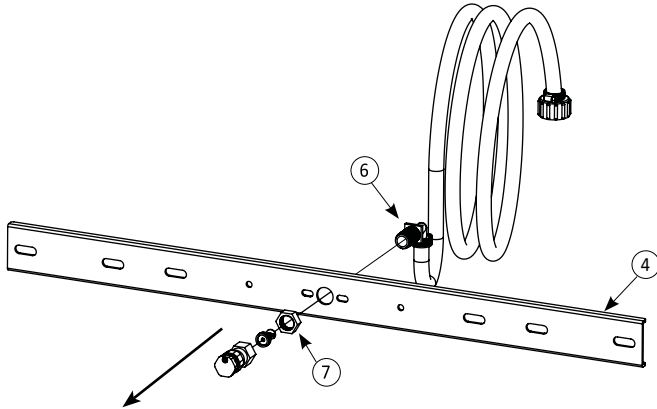
1. Using four of the supplied bolts and nuts (items 1 & 2), attach the two upright attaching brackets (item 3) to a mounting bracket assembly (sold separately P/N XXXX), or to existing ATV/UTV rack.
2. Using two of the supplied bolts and nuts (items 1 & 2), attach the horizontal boom frame (item 4) to the two upright attaching brackets (item 3). Depending on the height one wishes to set the boom to, use one of the top three holes of the upright attaching brackets. Recommended nozzle height is 30 - 60cm from the ground.
3. Thread the swivel nut (item 5) to the water source.

NOTE: with the blue stock nozzle it is recommended to not use boom assembly with a system of less than 6.4L/min and no less than 3.7L/min with the green nozzle.

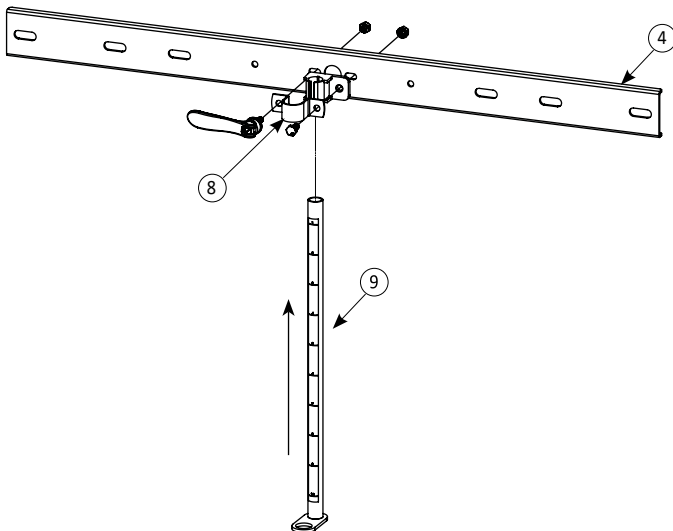


CONFIGURATION 2 - Adjustable Height

1. Unscrew the brass nozzle assembly from the hose elbow (item 6).
2. Remove the hose elbow and retaining nut (items 6 & 7) from the boom frame (item 4).

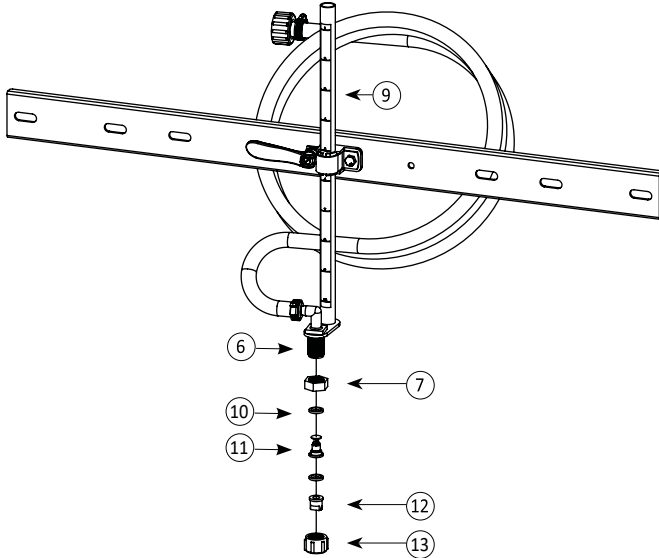


3. Attach the adjustable height camlock clamp (item 8) to the boom frame (item 4). With cam handle engaged, tighten nylon lock nut.
4. Disengage the camlock and insert the height adjustment tube (item 9) into the adjustable height camlock clamp (item 8). Fine tuning of the camlock handle bolt may be necessary for desire clamping force.

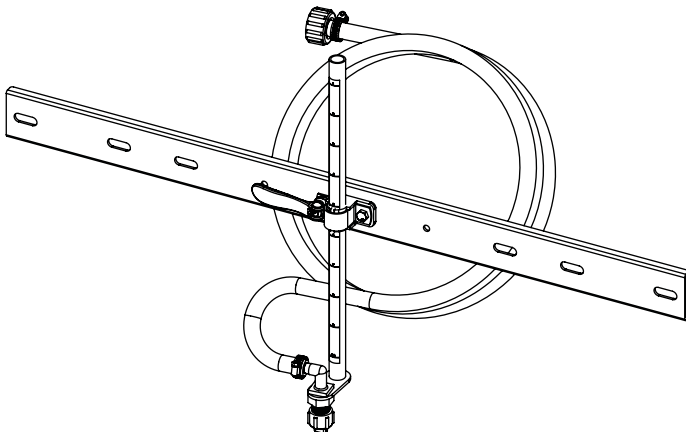


1. Attach the hose elbow (item 6) to the height adjustment tube (item 9) with retaining nut (item 7).
2. Reinstall o-rings and anti-drip valve (items 10 & 11) into the hose elbow and capture with gray nozzle (item 12) and retaining nut (item 13).

NOTE: with gray stock nozzle, it is recommended to not use boom assembly with a system of less than 3.7L/min.



Completed Assembly



OPERATING INSTRUCTIONS

USING THE BOOM NOZZLES

1. Choose the nozzle best equipped for the application at hand. See Nozzle Flow Chart for flow rates and spray angle.
2. While spraying water only raise or lower the boom to acquire the desired coverage. If you see dry spots while spraying you need to raise the boom; too much solution in the pattern areas means you need to lower the boom. Generally, the proper height will be from 33 - 45cm off the ground.
3. Reference the product you're spraying for desired mix ratio.

NOZZLE	PRESSURE (PSI)	FLOW (L/MIN)
Brass Flood Tip	10	3.2
	20	4.9
	30	6.2
Grey P/N 015194	10	1.6
	20	3.1
	30	3.9

NOTE: all flow rates are per nozzle.

CLEANING & STORAGE

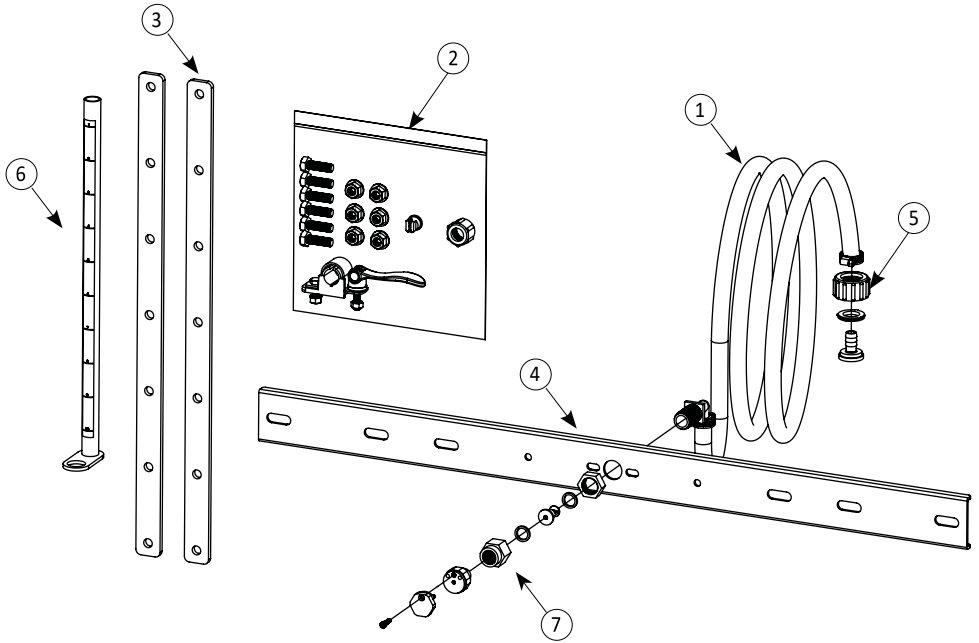
Most spray materials are highly corrosive. The most important aspect of long dependable service from the sprayer is a thorough cleaning immediately following each use. In addition, the residue of one type of chemical could cause an undesirable effect when a different chemical is used for a different purpose.

The most effective cleaning method is to pump several rinses of clean water through the tank, pump, hoses, boom, spray gun, etc. A neutralizing agent such as a tank cleaner, a detergent or household ammonia as recommended by the chemical manufacturer can assist in removal of a persistent chemical. When the system is thoroughly cleaned, drain the tank, suction line, pump hoses, etc.

The following steps should be followed for the maintenance and storage of your sprayer.

1. Wash and flush out sprayer after completion of each phase of your program. Flush out sprayer when changing chemicals. Use of a detergent is advisable if the chemical manufacturer does not make specific cleaning recommendations. Flush system completely, including nozzles. Never use metal objects to open clogged nozzles.
2. Clean sprayer thoroughly before storing at the end of the spraying season. Permanent type anti-freeze added to the final rinse will leave a rust inhibiting film in parts of the sprayer.

REPLACEMENT PARTS



REF NO.	PART NO.	QTY	DESCRIPTION
1	CUY30010M	1	Rubber Hose, 10mm
2	6-9103	1	Hardware Bag
3	6-9099	2	Upright Attachment Bracket, w/ Camlock Assembly
4	6-9102	1	Spray Boom Bracket
5	ATPXP25105	1	Swivel Nut
6	6-9104	1	Height Adjustment Tube
7	6-9101	1	Nozzle Assembly



See <https://www.rapidspray.net/resources/warranty-registration> to register your Rapid Spray product for warranty or call 1800 011 000.



www.rapidspray.net
35 Enterprise Cres, Singleton NSW 2330
PO BOX 3119 Singleton NSW 2330
Telephone: 1800 011 000
Facsimile: 02 6571 2951