

# BOOM READY REGULATOR KIT FOR MARUYAMA PUMPS

Code: ATRV40B12M1K

Suits all models of sprayer fitted with a 33L/min or 45L/min Maruyama piston pump (codes including 0330 or 0450).

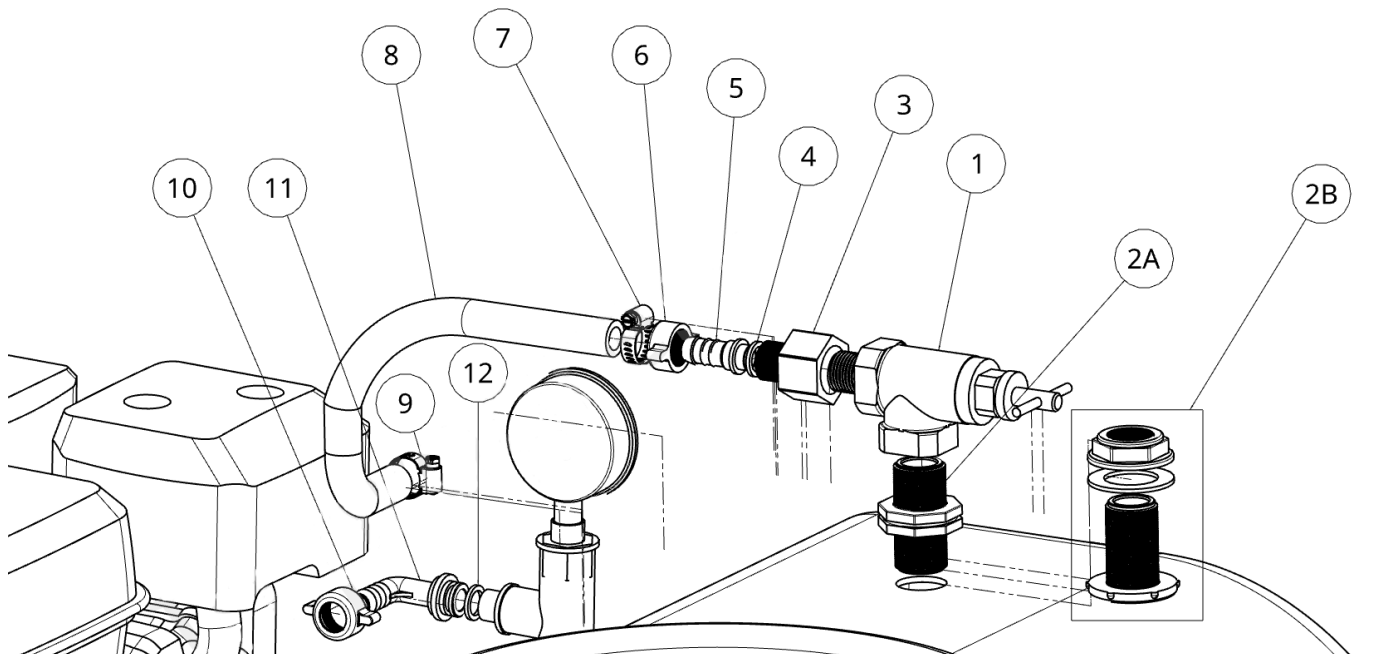


Figure 1 - Exploded View of Components

## Fitting Instructions:

1. Fit hose barb elbow, gasket and fly nut (**10-12**) to spare outlet on existing regulator manifold;
2. Fit brass bush, hose barb, gasket and fly nut (**3-6**) onto regulator body (**1**) – use supplied thread tape between brass bush (**3**) and regulator body (**1**), put this assembly aside;
3. If tank has an existing threaded inlet, fit nipple (**2A**). If tank does not have an existing inlet, use a 25mm spade bit to drill a hole in the top of the tank and fit flanged tank fitting (**2B**), installing the rubber gasket on the inside of the tank;
4. Using the supplied thread tape, fit regulator assembly from step 2 onto **2A/2B**;
5. Cut hose (**8**) to length connect between hose barbs (**11 & 5**) using supplied hose clamps (**7/9**).

## Operation:

1. Test using water only to check for leaks;
2. Open ball valve on existing manifold to let pressure into the regulator kit;
3. Use the brass t-handle and lock nut on regulator body (**1**) to achieve desired pressure.

SCAN FOR INSTALL VIDEO



