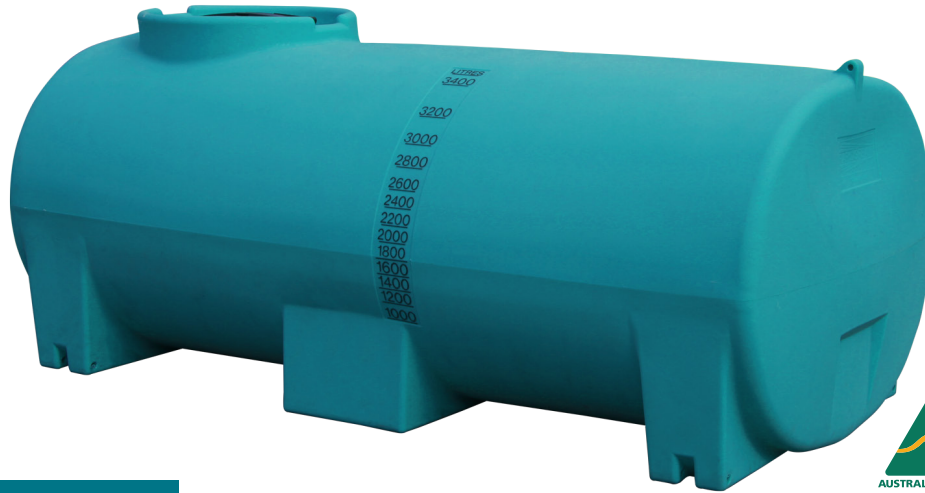


# 3400L CARTAGE TANK

## PRODUCT SPECIFICATION SHEET



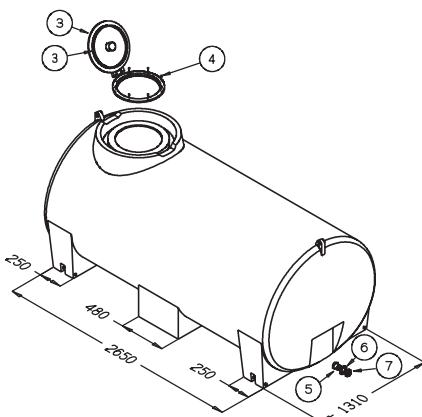
### UNIT SPECIFICATIONS

Item	Description	Details
Tank	3400L	UV stabilised chemical resistant polyethylene tank, lance & hose holder. 15 year warranty. Made in Australia
Lid	450mm	Threaded lid assembly with fixed labyrinth breather valve. UV Stabilised
Tank Outlet	2"	Stainless steel croc-loc tank outlet fitting
Dimensions		2960mm (L) x 1450mm (W) x 1230mm (H)
Colour	Teal	*Note that tank colour can be customised
Ball Baffles	ARB355 (Optional)	85 pieces of ARB355F ball baffles, made from food grade polypropylene
Mounting Pins	4 x Ø24mm mounting pins	Mounts directly to any flat surface with galvanised steel mounting pins (supplied)

### TANK MODELS

Product Code	Model Variant / Type	Specific Gravity	Dry Weight
PTC03400TO	Active Liquid - Water & Non-hazardous liquids	1.3:1	190kg
PTC03400TOH	Mega Molasses - Molasses & liquid fertilisers	1.6:1	210kg

### DIMENSIONAL DRAWING



Part No.	Code	Details
2	ARLP450VSR	Ø450 Lid assembly
3	CA356660020NB	Ø450 Lid Seal only
4		8-#10ga x 25 SS Screw
5, 6, 7	ARBS050	2" MBSP Croc-loc



DISCOVER SAFER TANKERS WITH BALL BAFFLES. SCAN NOW!

